

Material	Thermally broken aluminium system
Mechanism	Integrated and centrally built-in bottom rolling system to operate door leaves up to 3m high and up to 100 kg weight
Opening Types	Available in number of configurations, Inward or Outward opening
Weatherseal	The door is fully weather sealed and tested to EN standards
Glass	The door is dry glazed with EPDM and can take dual or triple sealed units up to 45mm thickness
Thermal Performance	Uw-value down to 1.8 W/m ² K, depending on the frame/vent combination and the glass thickness
Factory Finishing	Polyester powder coated available in single or dual colour

PRODUCT TYPE

**SCHÜCO ASS 70 FD
FOLDING
ALUMINIUM DOOR**

TITLE

ELEVATION DRAWING

DRAWING No.

S-A-ASS70FD/01

DATE

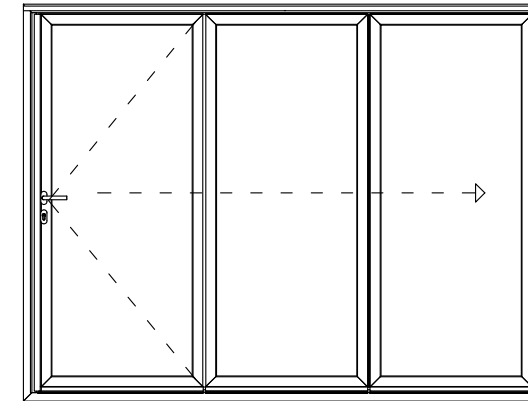
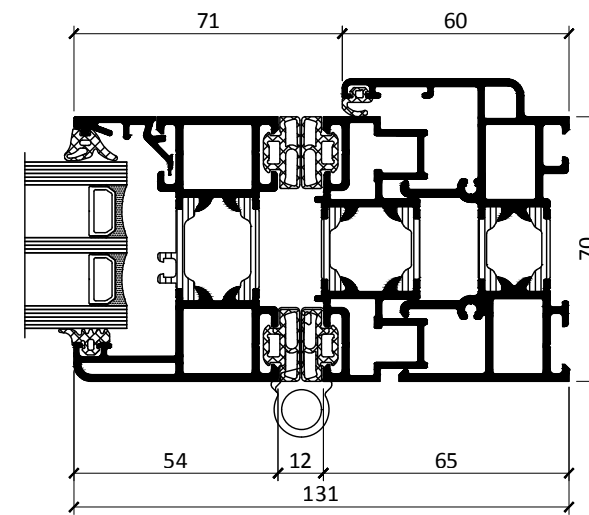
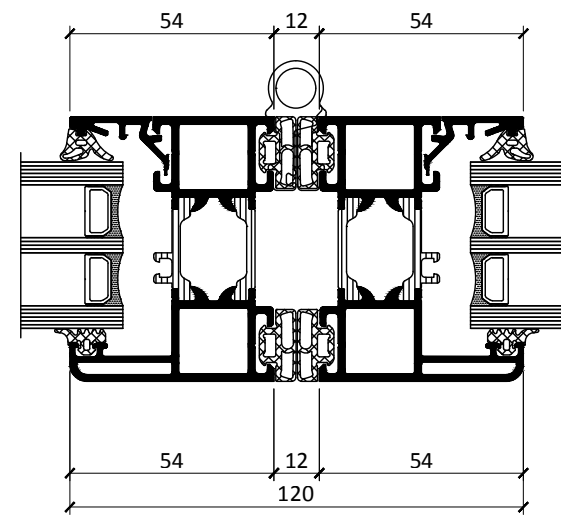
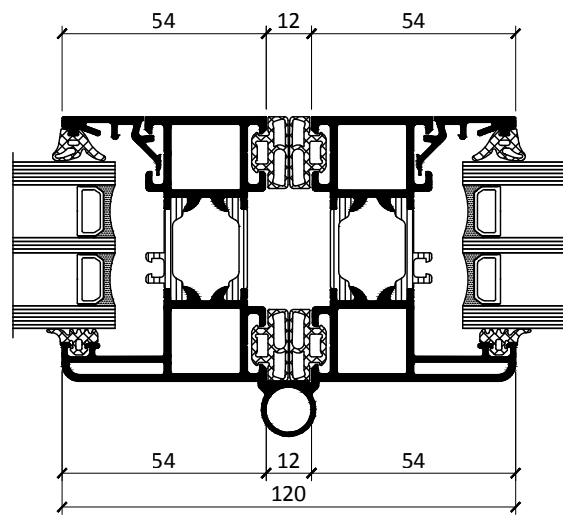
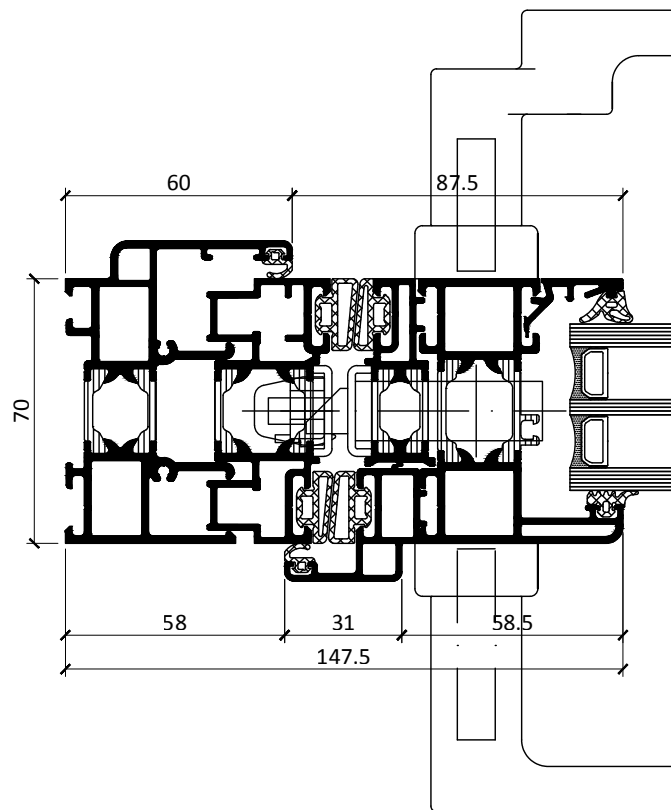
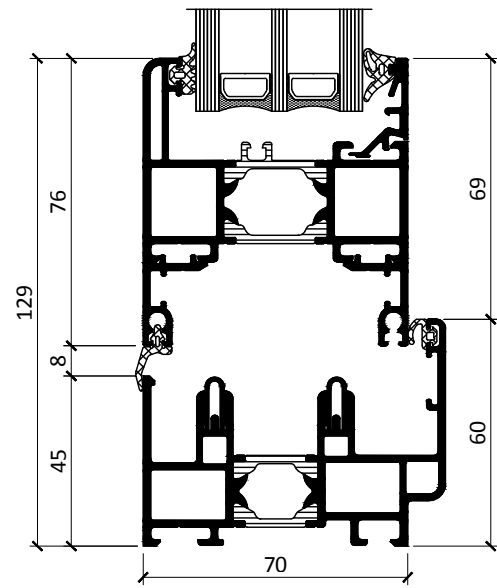
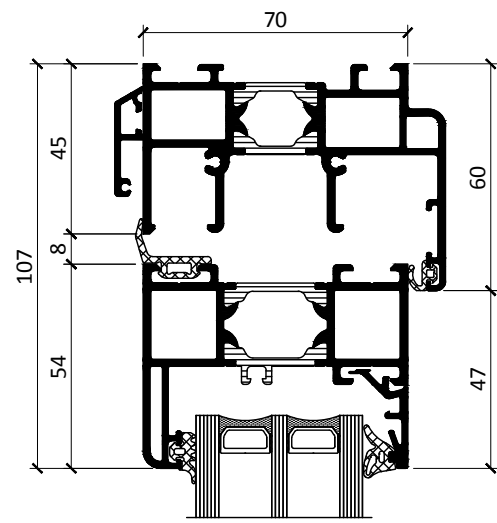
2022/04/12

SCALE

CONSTRUCTION DETAILS

zyle 
fenster

FENSTER UAB
Fermentu 4-1, LT-02244,
Vilnius, Lithuania
Phone.: + 370 5 206 0987
Mob.: +370 682 01711
Fax.: +370 5 206 0986
E-mail: info@zylefenster.com
www.zylefenster.com



PRODUCT TYPE
**SCHÜCO ASS 70 FD
 FOLDING
 ALUMINIUM DOOR**

TITLE
TYPICAL SECTIONS

DRAWING No.
S-A-ASS70FD/02

DATE	SCALE
2022/04/12	1:2 @ A3

CONSTRUCTION DETAILS



FENSTER UAB
 Fermentu 4-1, LT-02244,
 Vilnius, Lithuania
 Phone.: + 370 5 206 0987
 Mob.: +370 682 01711
 Fax.: +370 5 206 0986
 E-mail: info@zylefenster.com
 www.zylefenster.com