

**REYNAERS SL 38  
ALUMINIUM WINDOW**

TITLE

**ELEVATION DRAWING**

DRAWING No.

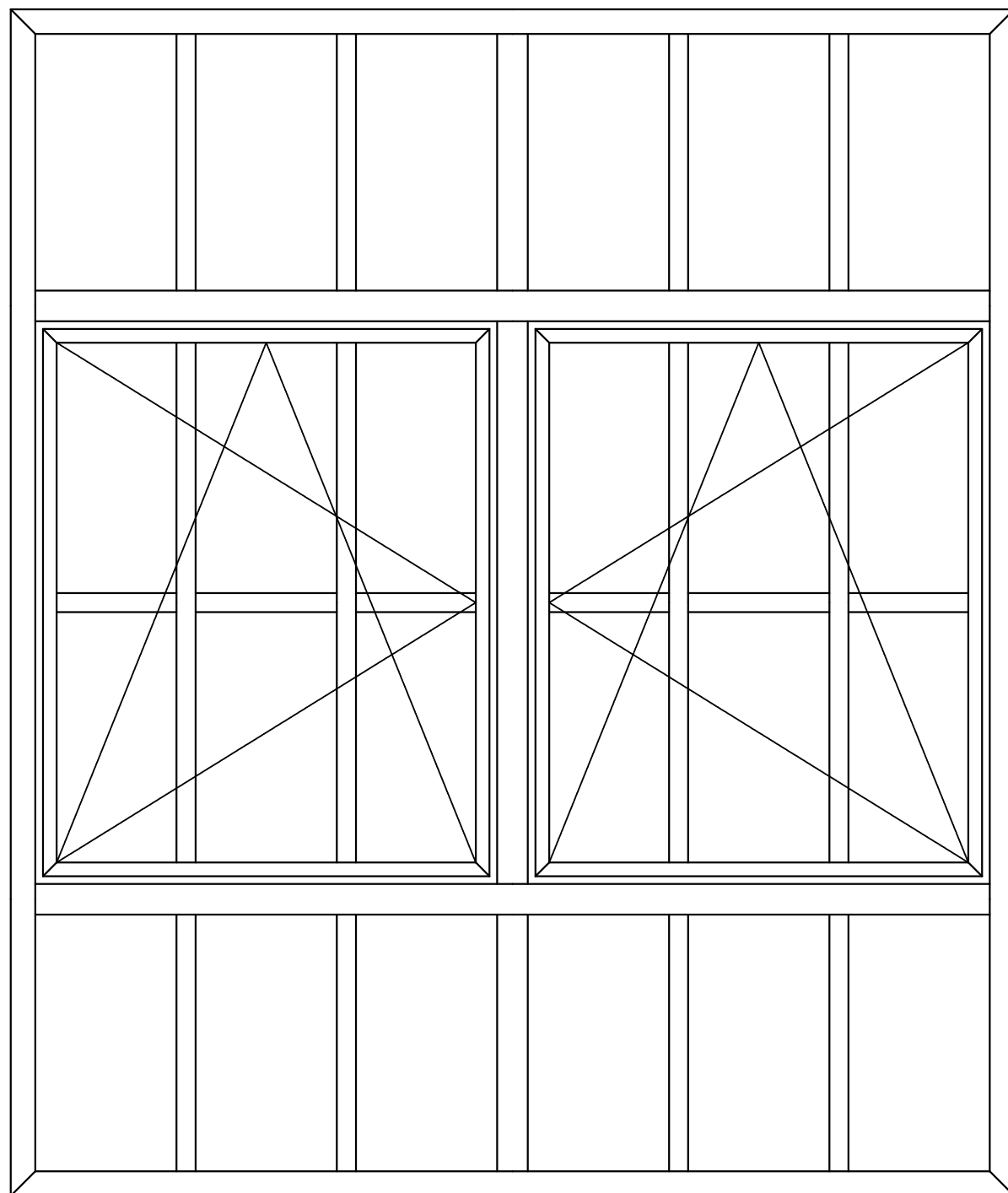
**R-A-SL38/01**

DATE

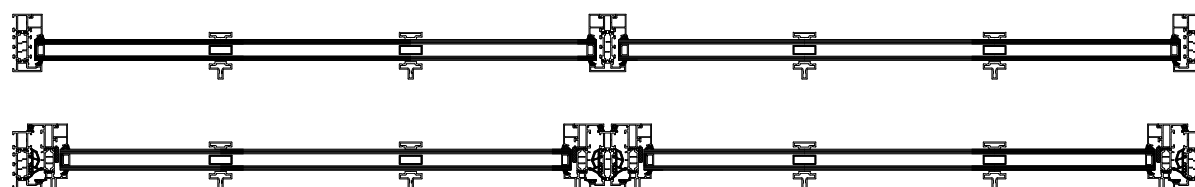
**2022/04/12**

SCALE

CONSTRUCTION DETAILS



Material	Thermally broken aluminium system
Mechanism	Sashes operated on multiple turning mechanism with dual opening action, which allows ventilation and easy cleaning from the inside
Security (optional)	Fully tested to Secure by design standards PAS 24:2012
Weatherseal	The window is fully weather sealed and tested to EN standards
Glass	The window is dry glazed with EPDM and can take dual or triple sealed units up to 55mm thickness
Thermal Performance	Uf-value down to 1.7 W/m2K depending on the frame/vent combination and the glass thickness. Uw of less than 1.4 W/m2K for a standard window section
Fittings	Dual action fastener to each operable sash with options in colour and finish
Ventilation	A controllable trickle ventilator can be fitted to the window dependant on width of the frame
Factory Finishing	Polyester powder coated available in single or dual colour



FENSTER UAB  
 Fermentu 4-1, LT-02244,  
 Vilnius, Lithuania  
 Phone.: + 370 5 206 0987  
 Mob.: +370 682 01711  
 Fax.: +370 5 206 0986  
 E-mail: info@zylefenster.com  
 www.zylefenster.com

# REYNAERS SL 38 ALUMINIUM WINDOW

TITLE

## DESIGN OPTIONS

DRAWING No.

R-A-SL38/02

DATE

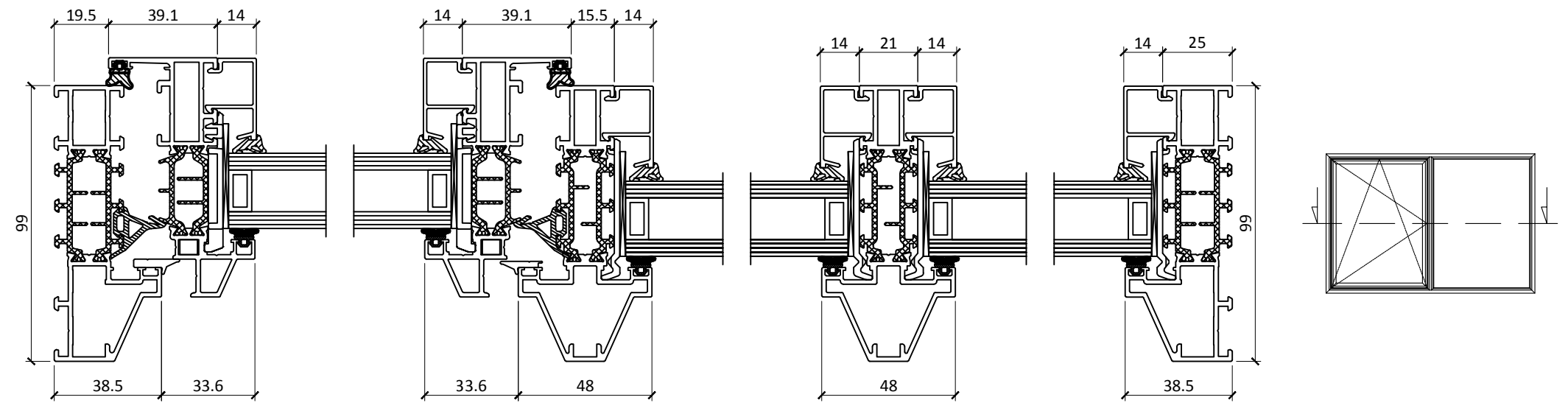
2022/04/12

SCALE

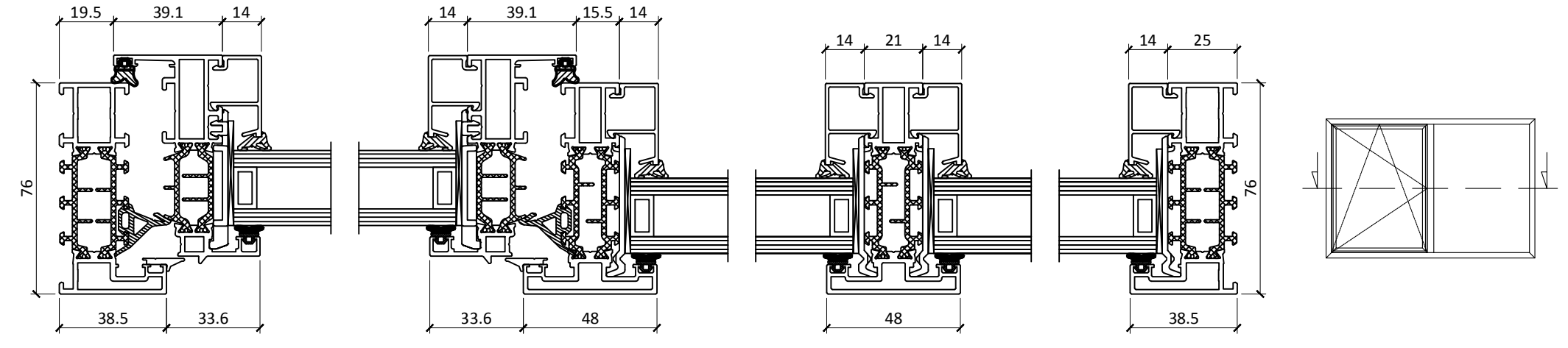
1:2 @ A3

CONSTRUCTION DETAILS

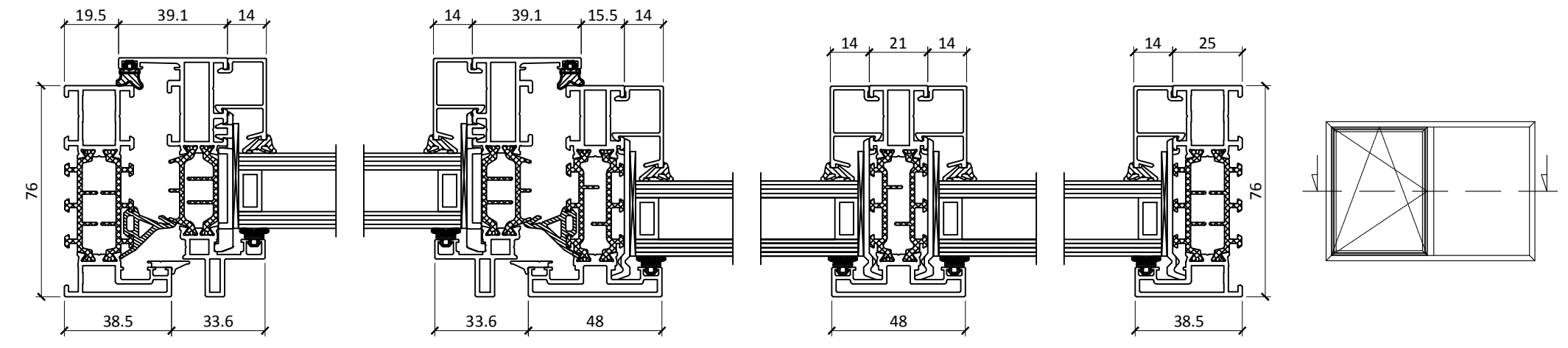
### CLASSIC



### CUBIC



### FERRO



FENSTER UAB  
 Fermentu 4-1, LT-02244,  
 Vilnius, Lithuania  
 Phone.: + 370 5 206 0987  
 Mob.: +370 682 01711  
 Fax.: +370 5 206 0986  
 E-mail: info@zylefenster.com  
 www.zylefenster.com