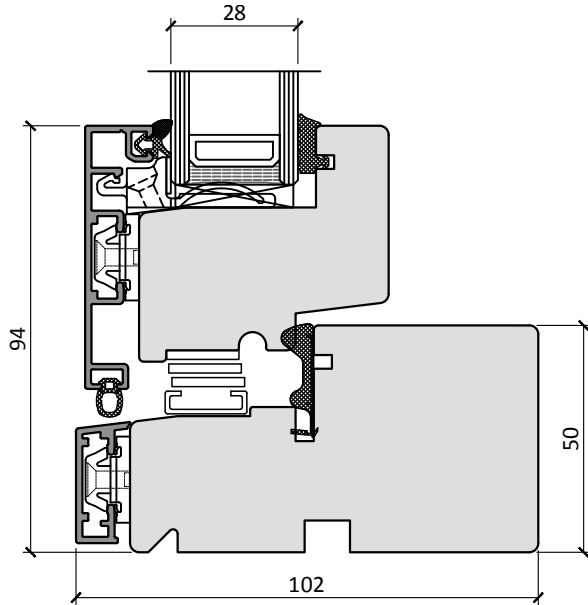
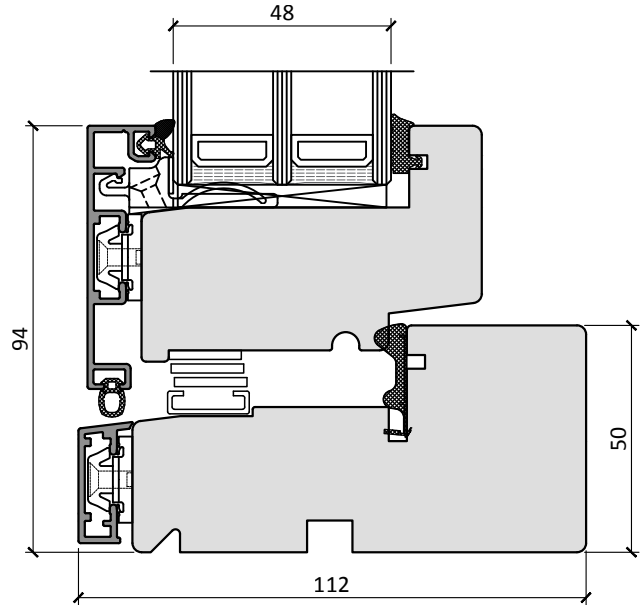


EcoTherm sl



EcoTherm sl+



ENERGY											
Thermal Insulation EN ISO 10077-1	EcoTherm sl DOUBLE GLAZED ONLY					EcoTherm sl+ TRIPLE GLAZED ONLY					
	Uw value 1.3 W/m ² K					Uw value 0.8 W/m ² K					
COMFORT											
Air permeability EN 1026; EN 12207	1 (150 Pa)		2 (300 Pa)		3 (600 Pa)			4 (600 Pa)			
Water tightness EN 1027; EN 12208	1A (0 Pa)	2A (50 Pa)	3A (100 Pa)	4A (150 Pa)	5A (200 Pa)	6A (250 Pa)	7A (300 Pa)	8A (450 Pa)	9A (600 Pa)	E (900 Pa)	
Wind resistance EN 1221; EN 12210	1 (400 Pa)		2 (800 Pa)		3 (1200 Pa)		4 (1600 Pa)		5 (2000 Pa)		E _{xxx} (>2000 Pa)
Wind load resistance to frame deflection EN 1221; EN 12210	A (≤1/150)			B (≤1/200)				C (≤1/300)			
SAFETY											
Burglar resistance PAS 24:2016	COMPLIANT										

(1) Calculation based on window size 1.23m wide x 1.48m high.

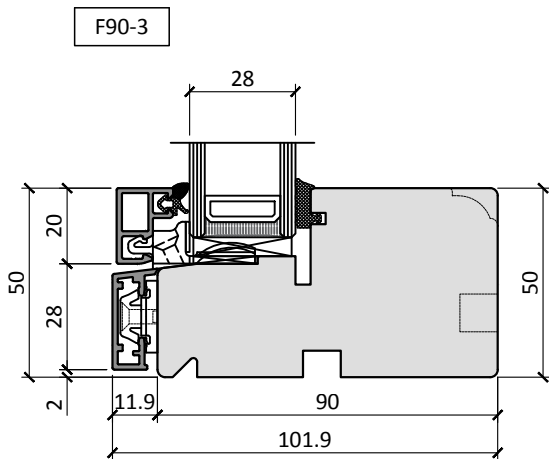
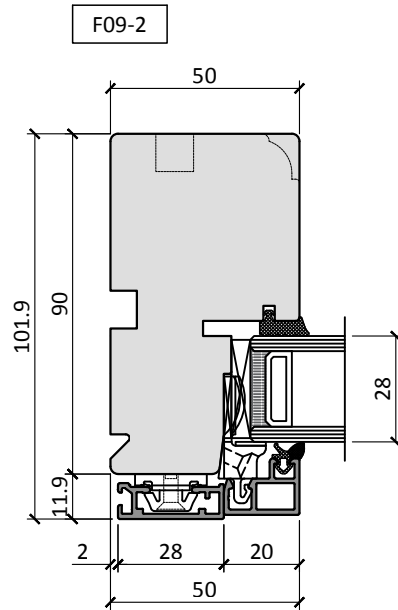
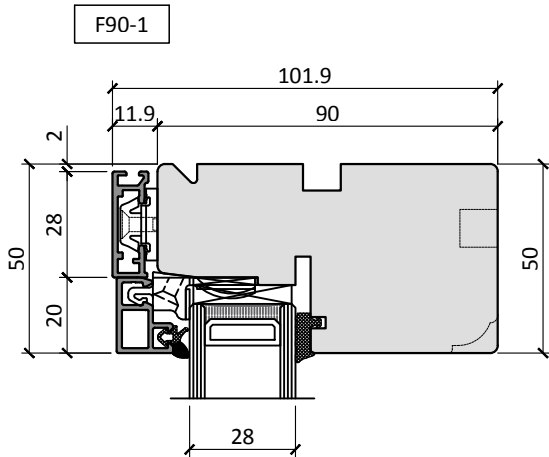
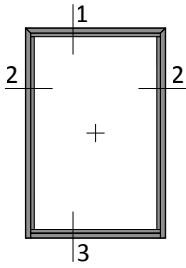
(2) EcoTherm sl U value calculation based on double glazed unit with centre pane U value Ug=1.1 W/m²K.

(3) EcoTherm sl+ U value calculation based on triple glazed unit with centre pane U value Ug=0.5 W/m²K.

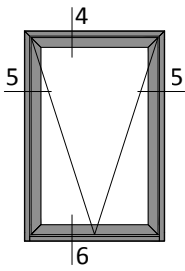
(4) The air tightness test measures the volume of air that would pass through a closed window at a certain air pressure.

(5) The water tightness testing involves applying a uniform water spray at increasing air pressure until water penetrates the window.

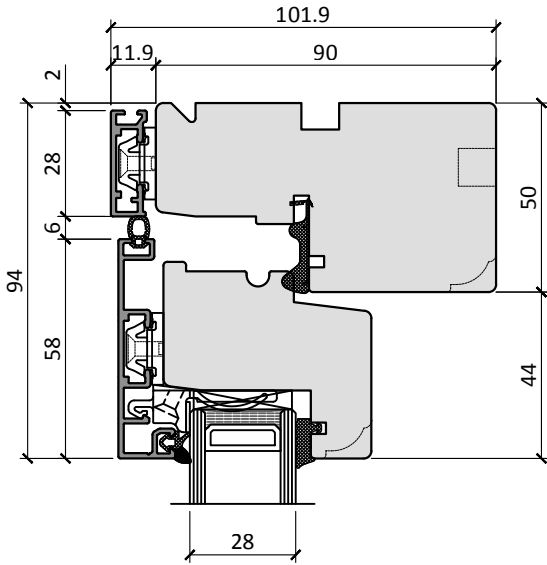
(6) The wind load resistance is a measure of the profile's structural strength and is tested by applying increasing levels of air pressure to simulate the wind force.



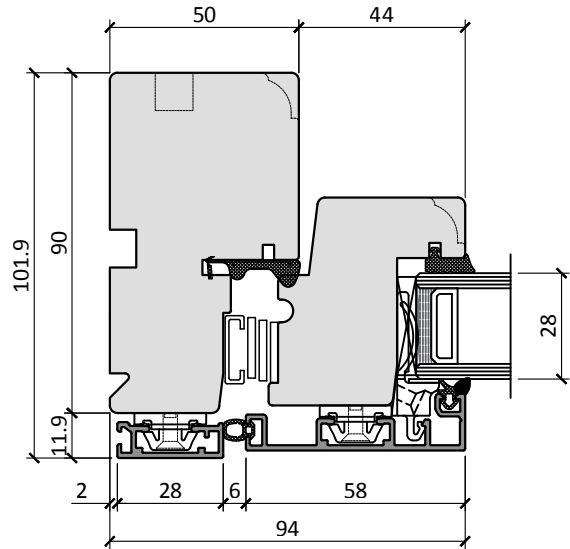
F90



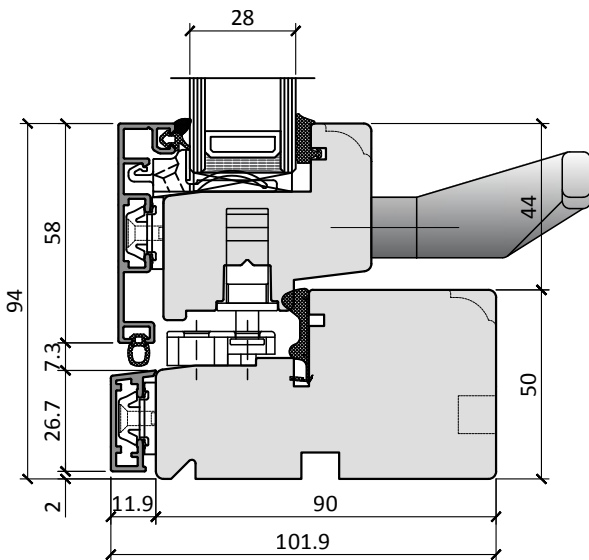
F90-4

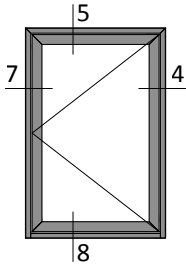


F90-5

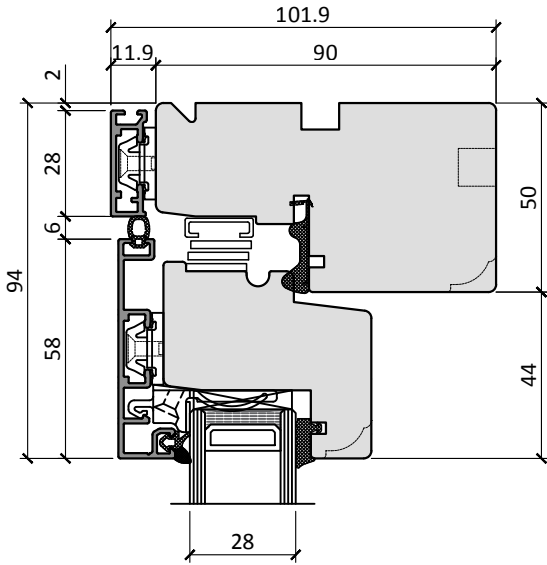


F90-6

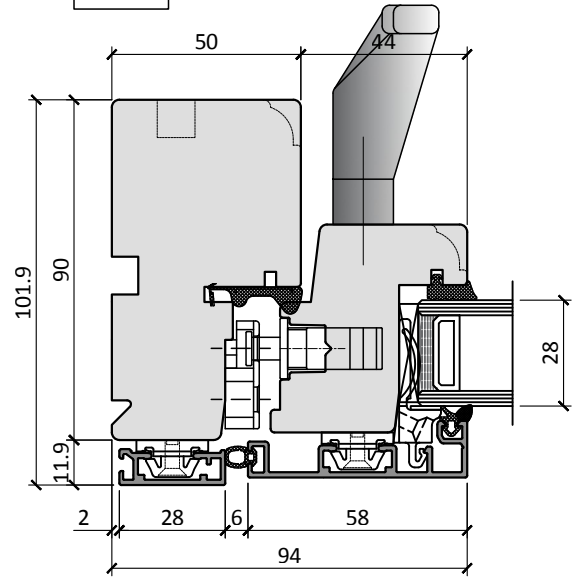




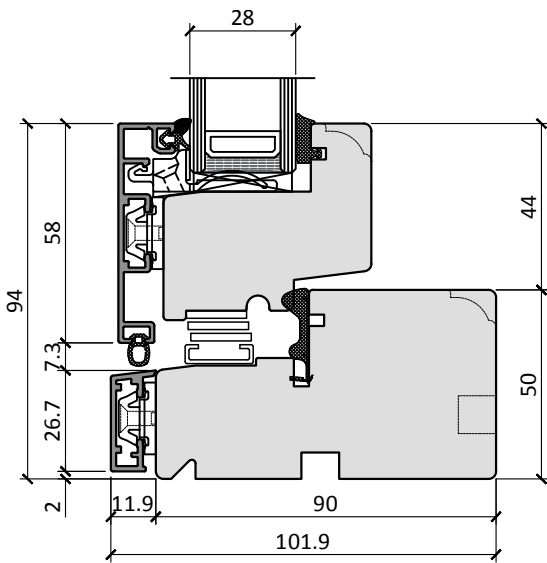
F90-5



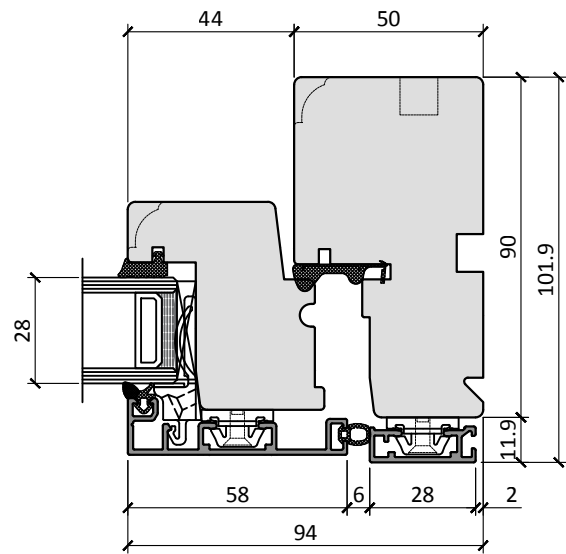
F90-7



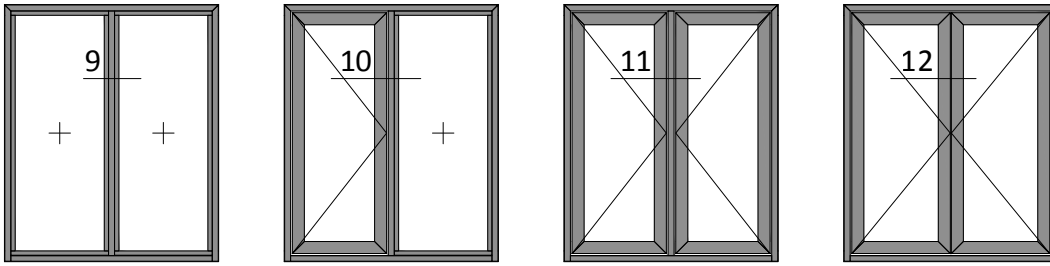
F90-8



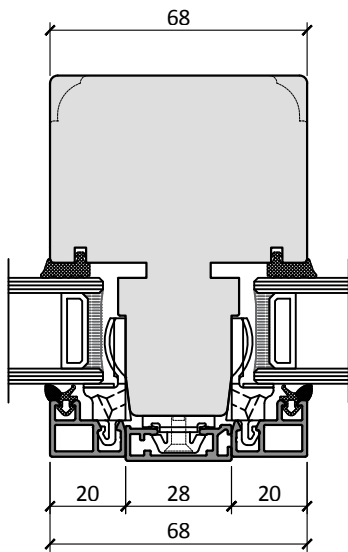
F90-4



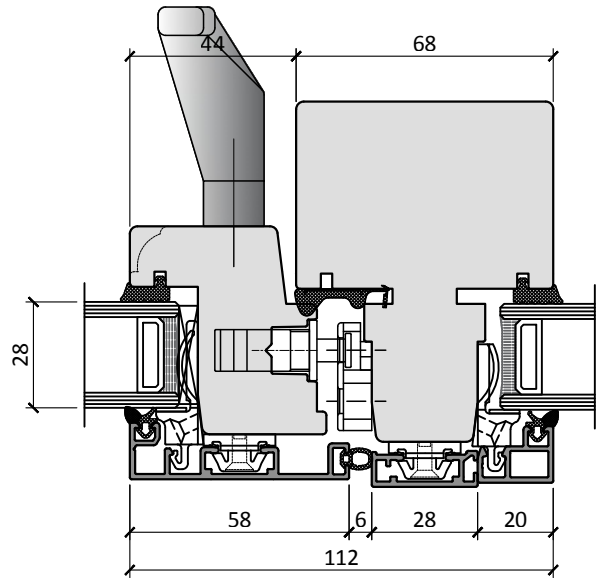
F90



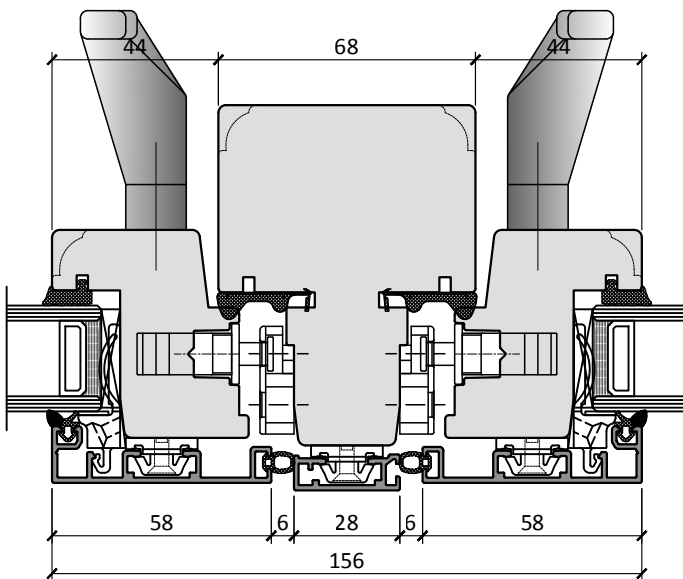
F90-9



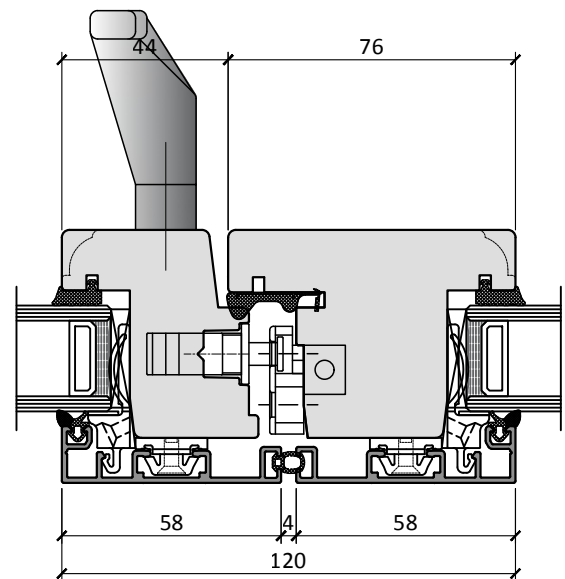
F90-10

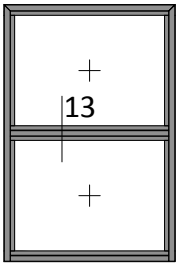


F90-11

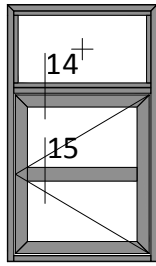


F90-12

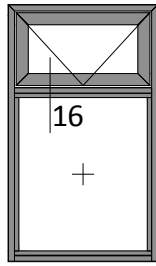




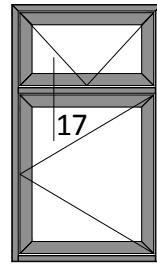
F90-13



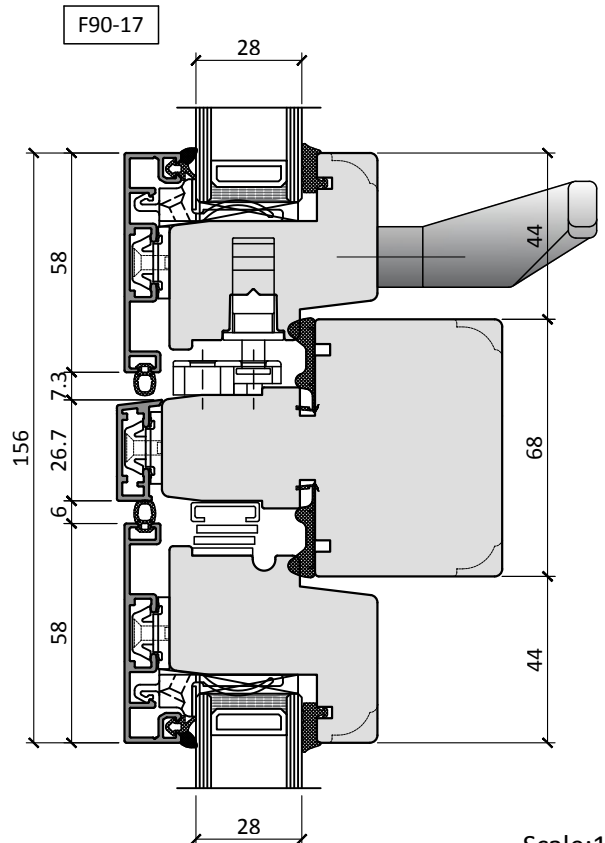
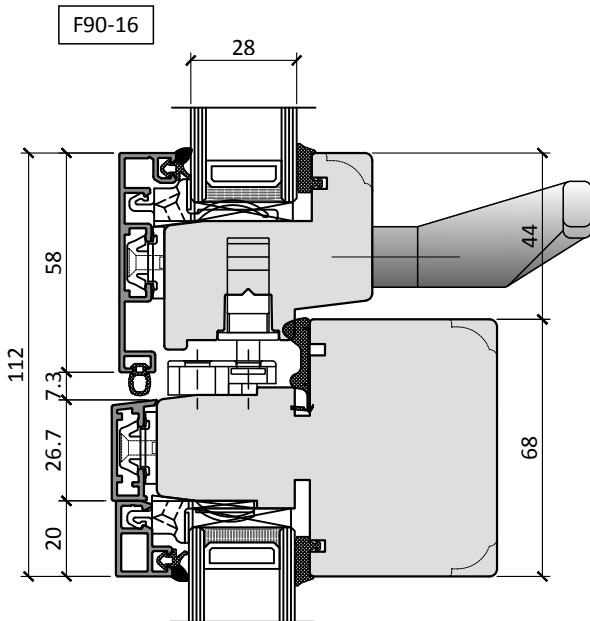
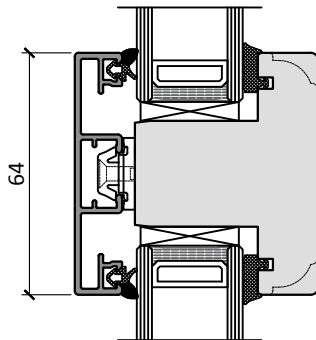
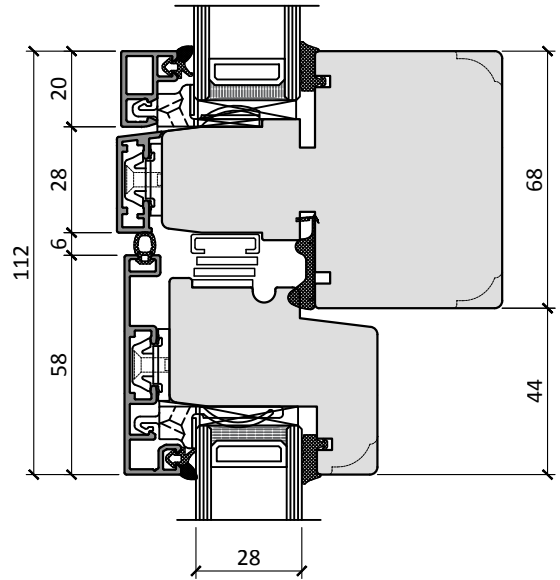
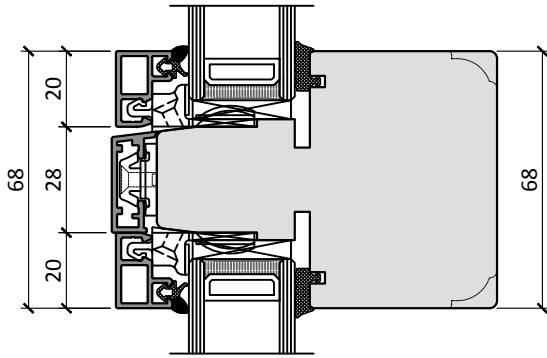
F90-14



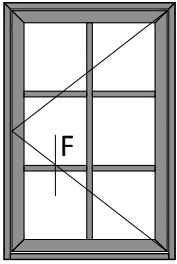
F90-15



F90-17



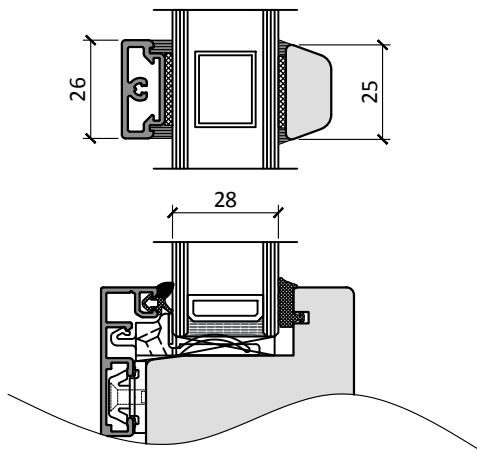
Scale:1:2



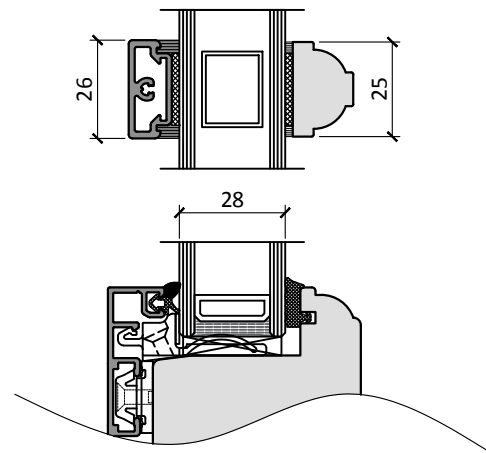
F90

GLAZING BARS & BEADS

SPLAYED

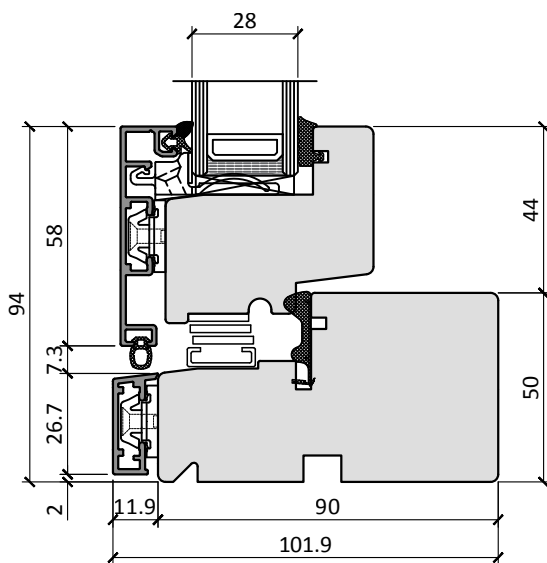


OVOLO

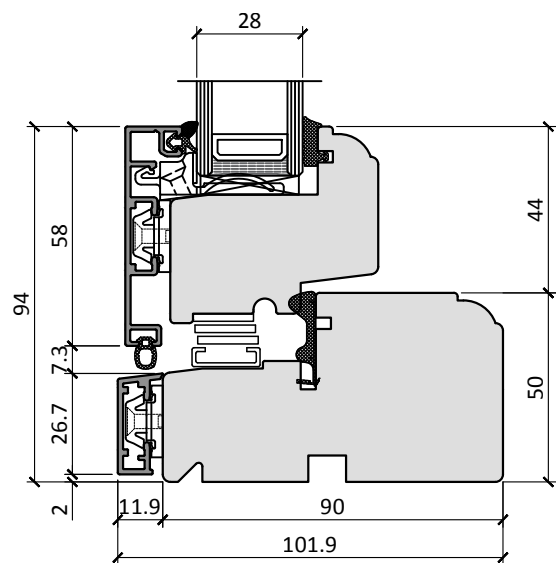


SASH & FRAME

SQUARE

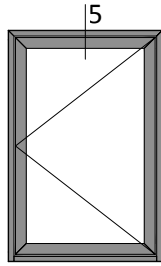
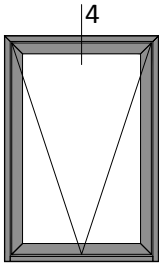


OVOLO

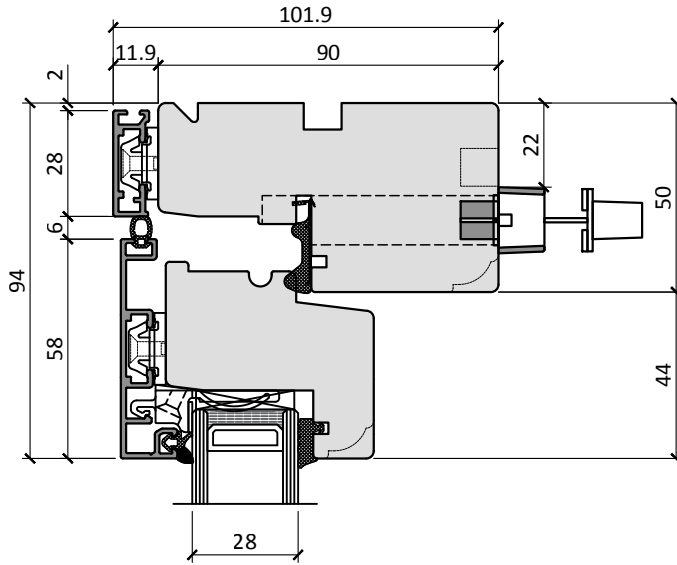


Scale:1:2

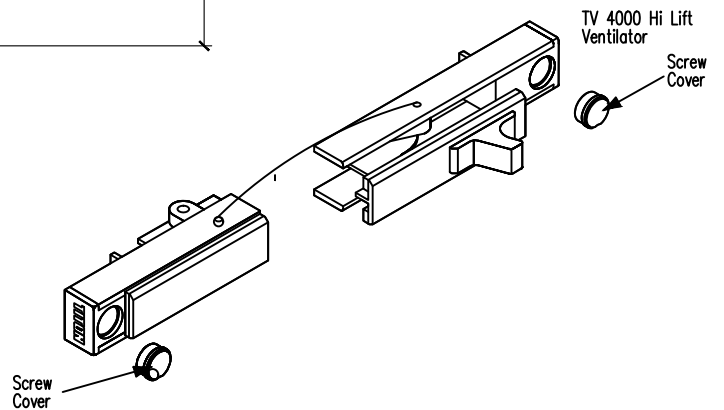
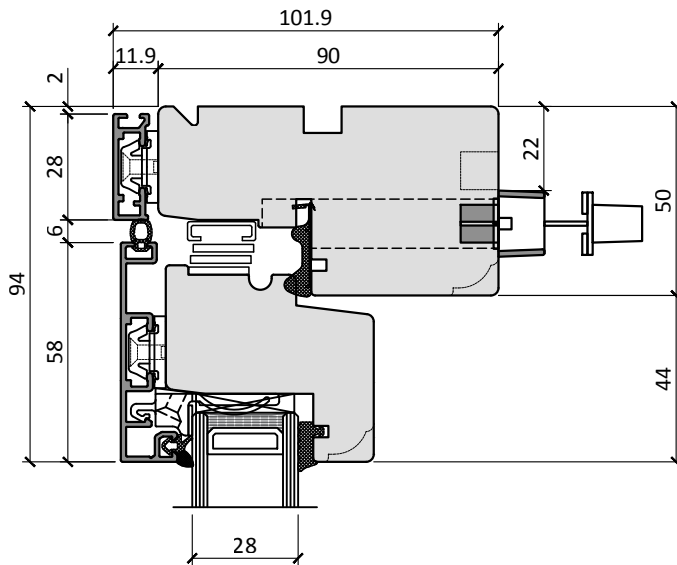
F90



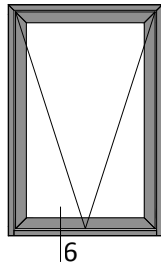
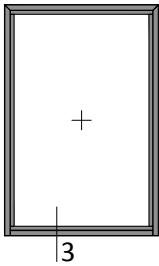
F90-4/V



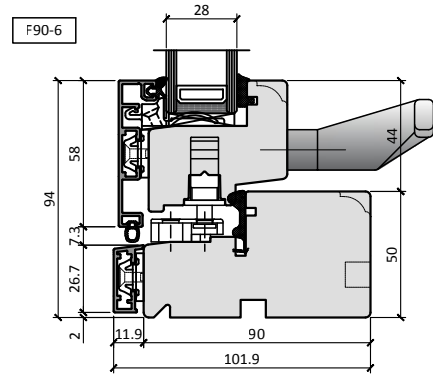
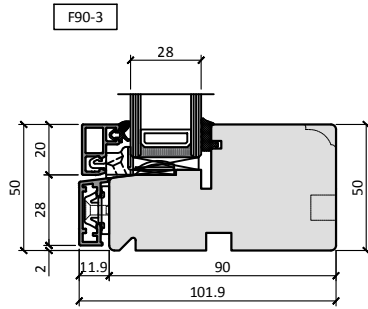
F90-5/V



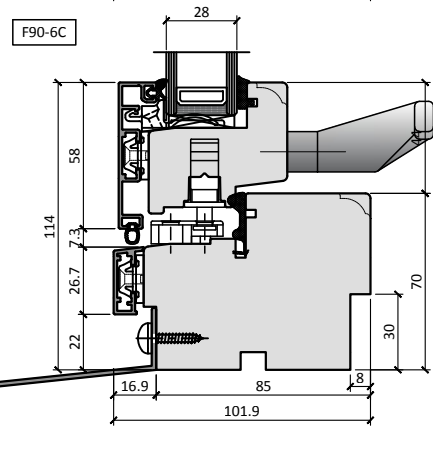
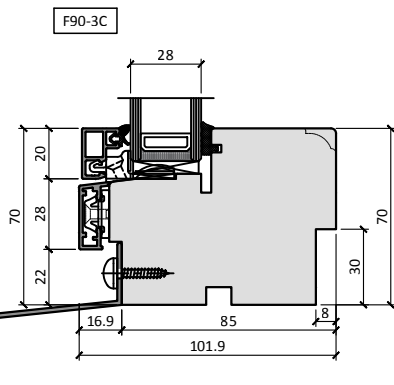
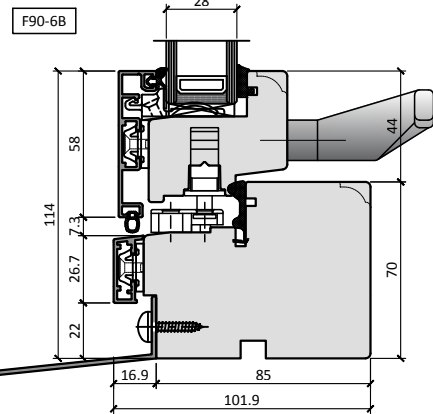
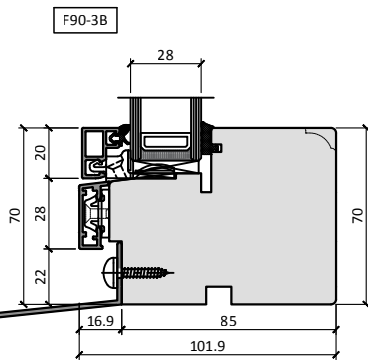
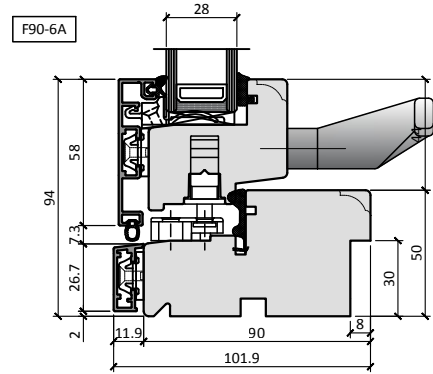
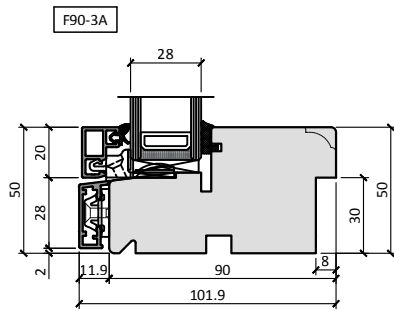
Scale:1:2



DEFAULT CILL PROFILE

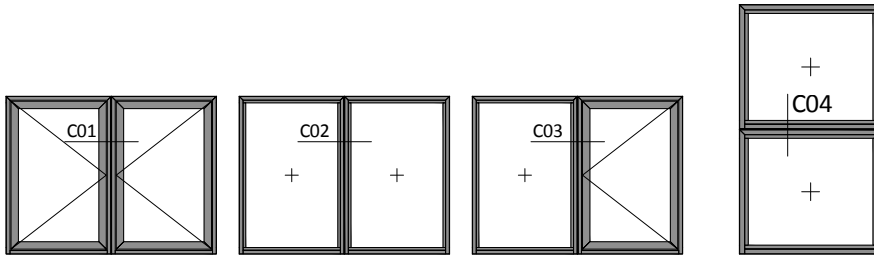


OPTIONAL CILL PROFILES

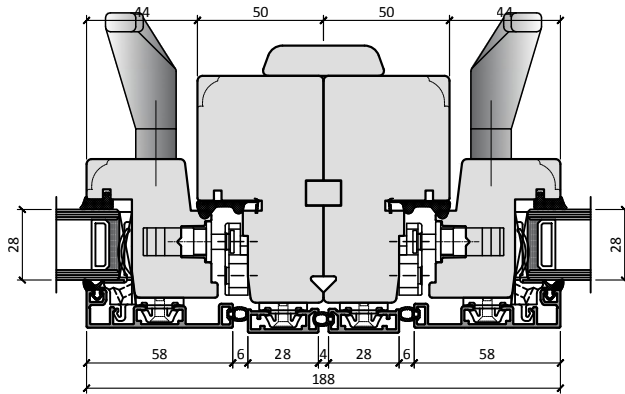


please see drawing Z-A-1001 for aluminium cill extension options

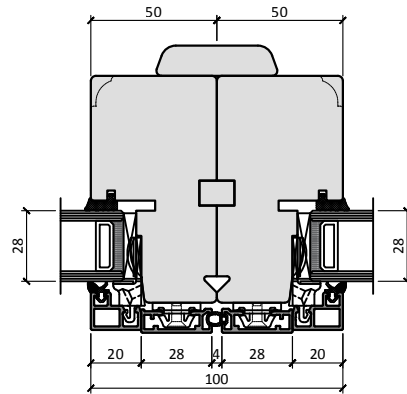
Scale:1:3



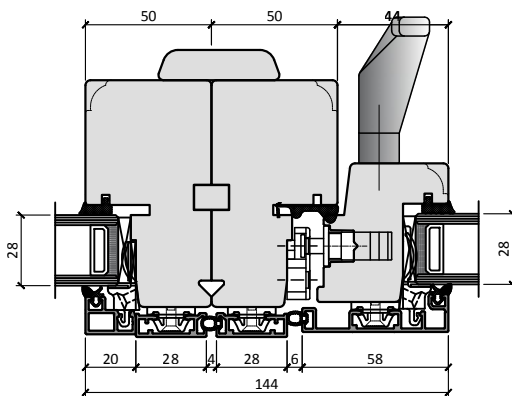
F90-C01



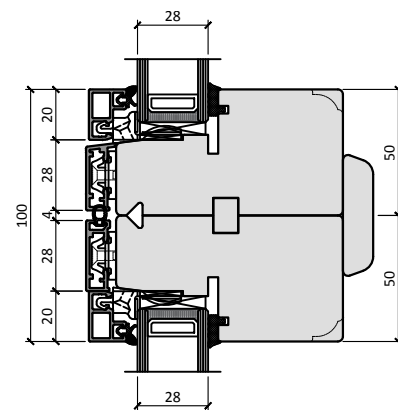
F90-C02

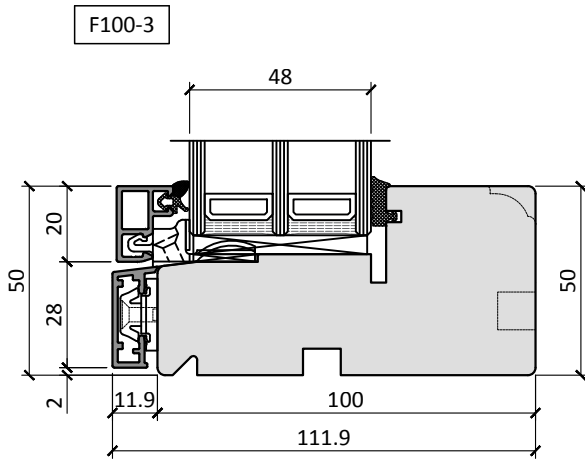
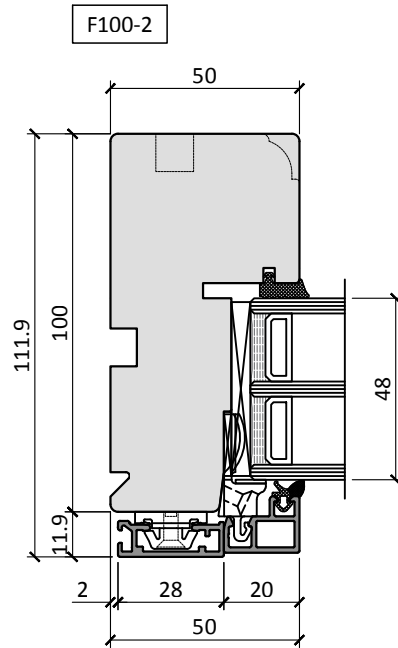
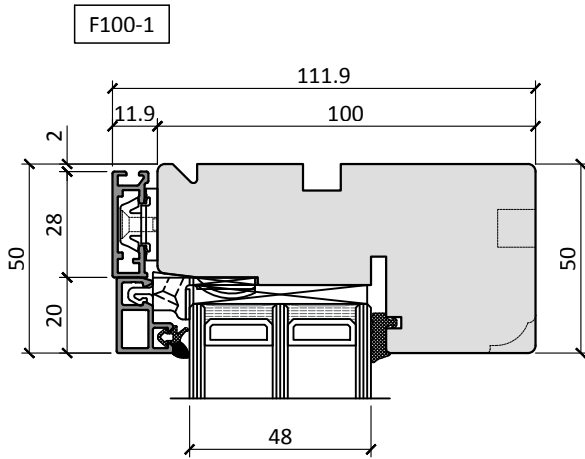
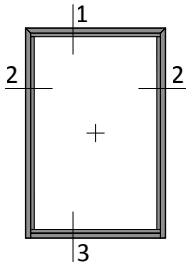


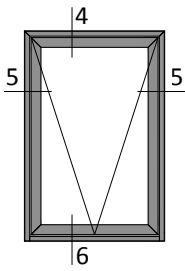
F90-C03



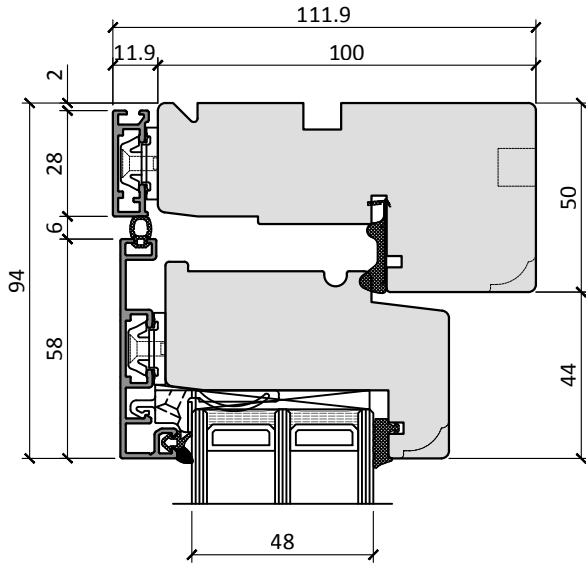
F90-C04



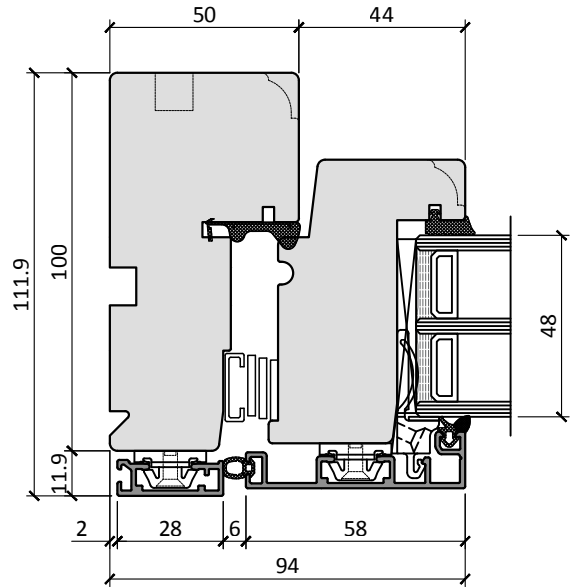




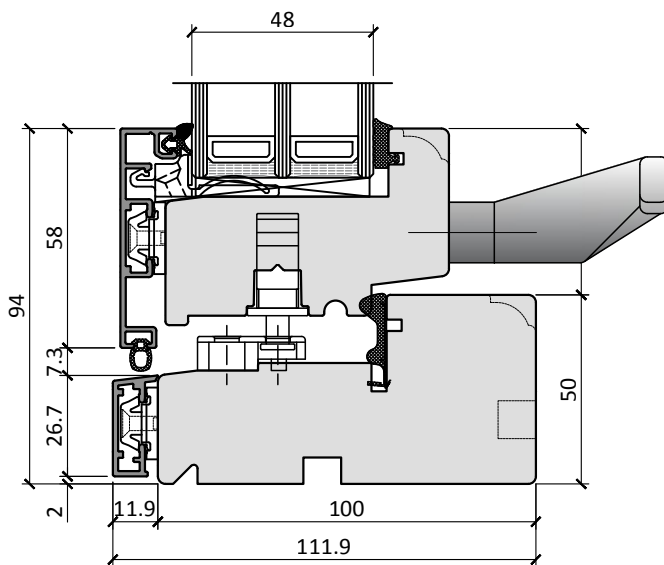
F100-4

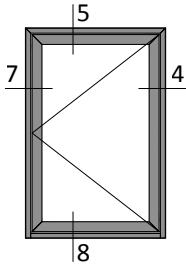


F100-5

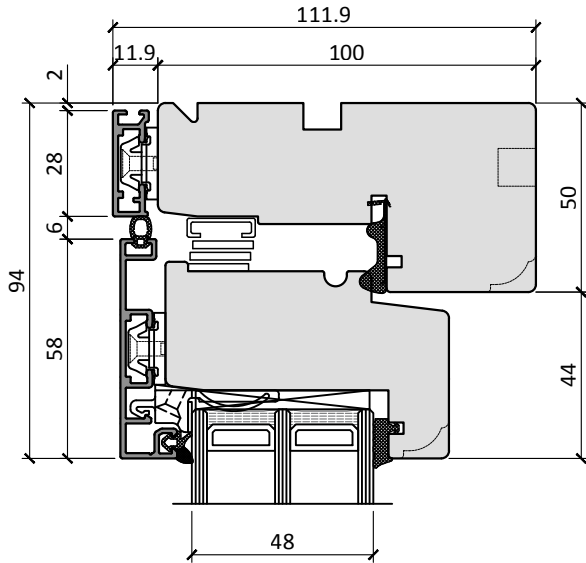


F100-6

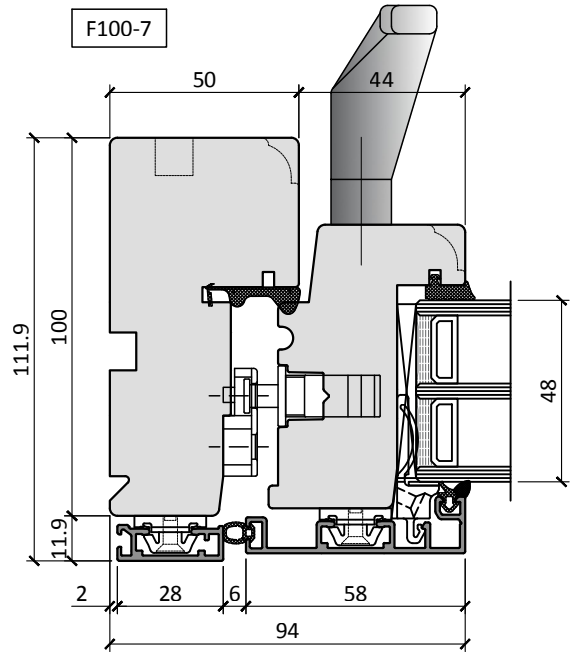




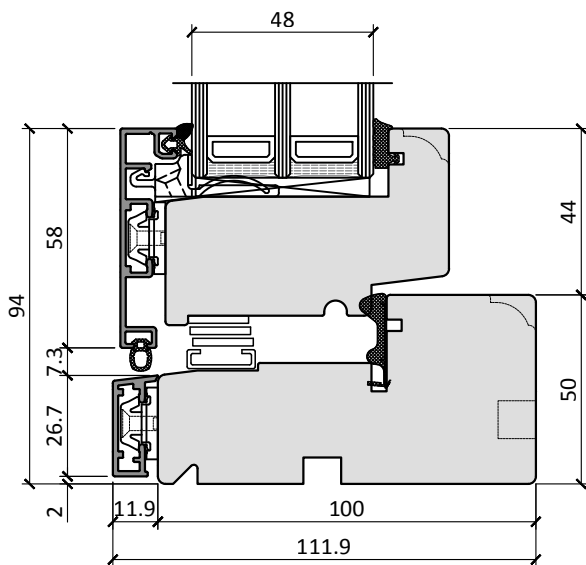
F100-5



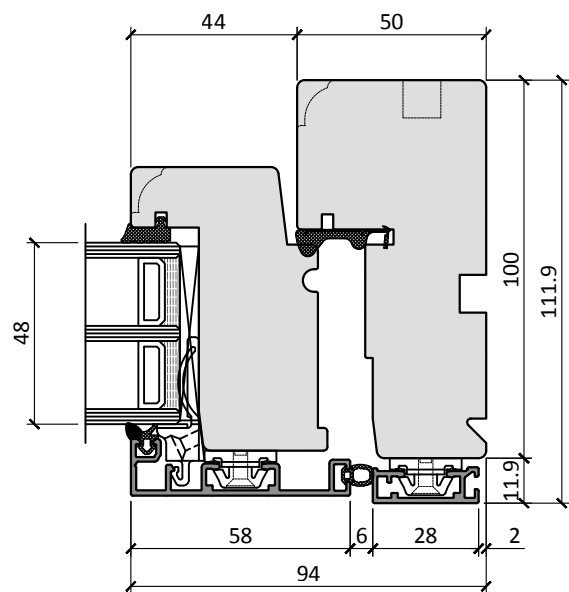
F100-7



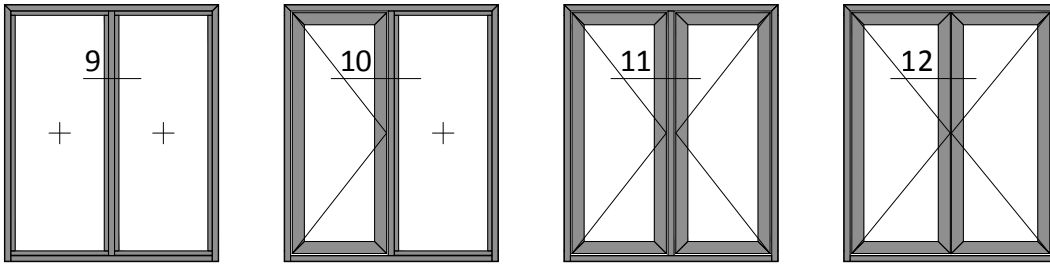
F100-8



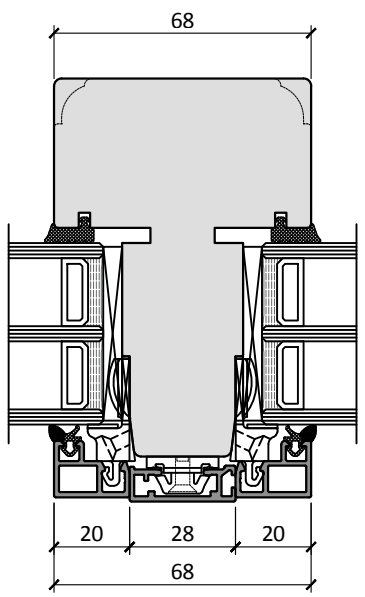
F100-4



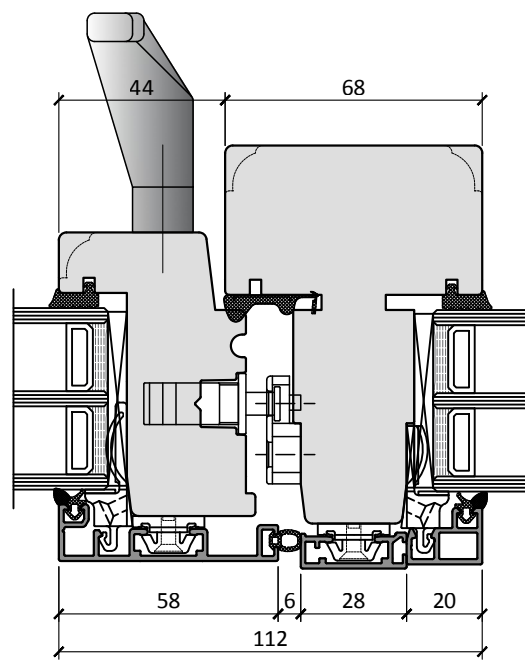
F100



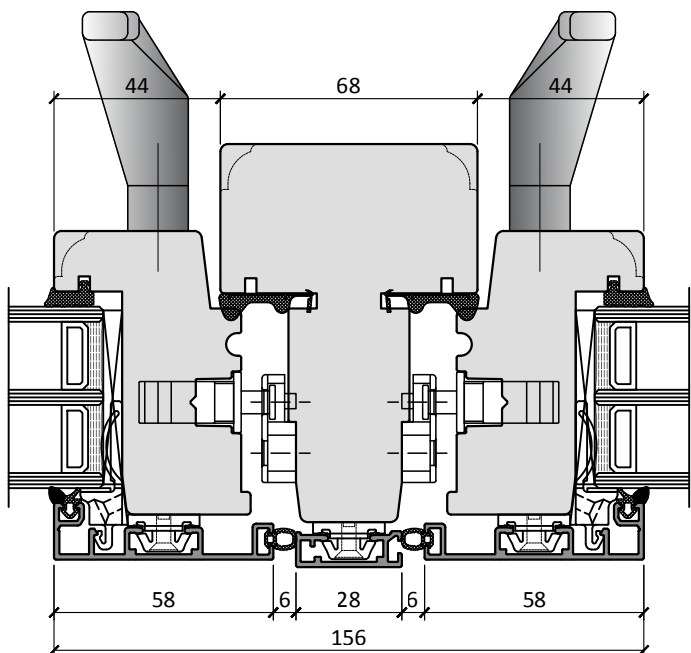
F100-9



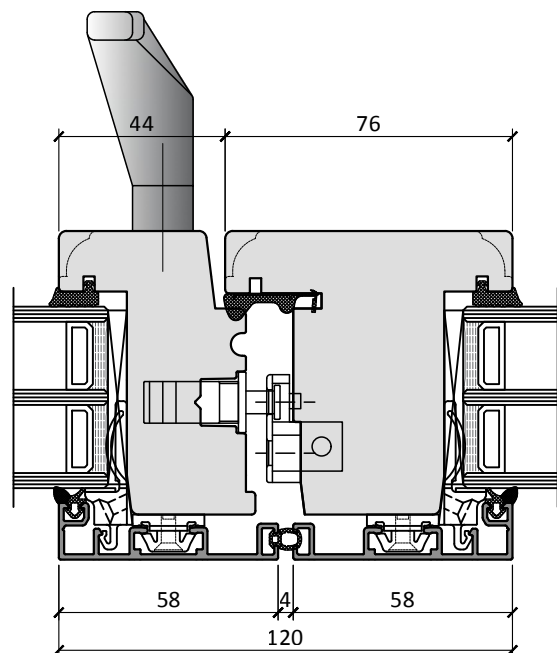
F100-10



F100-11

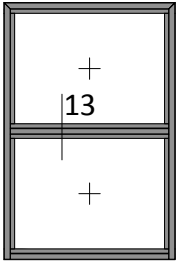


F100-12

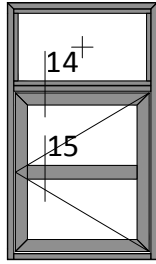


Scale:1:2

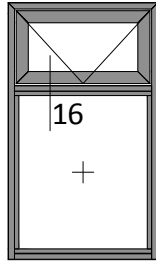
F100



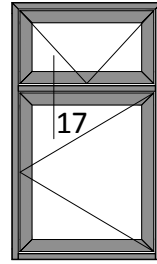
F100-13



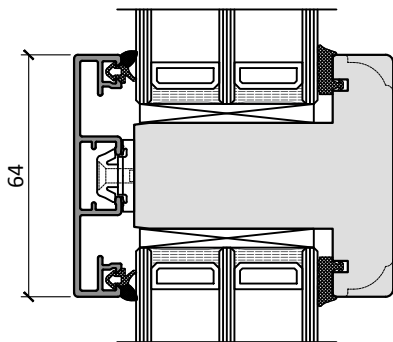
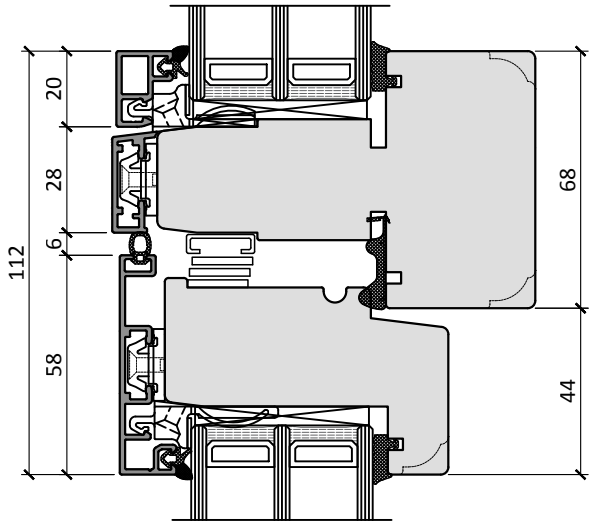
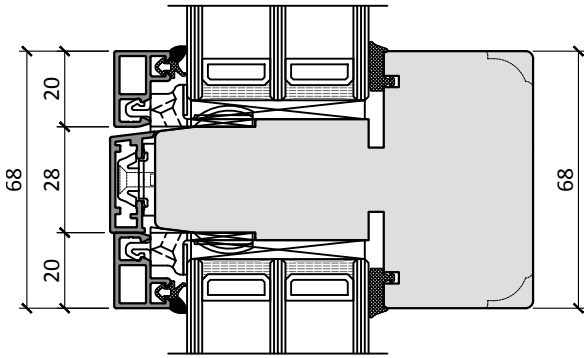
F100-14



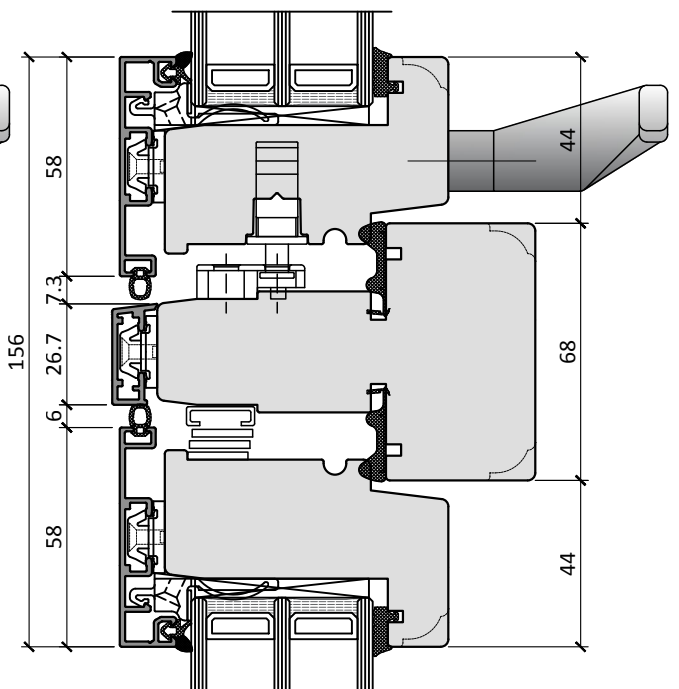
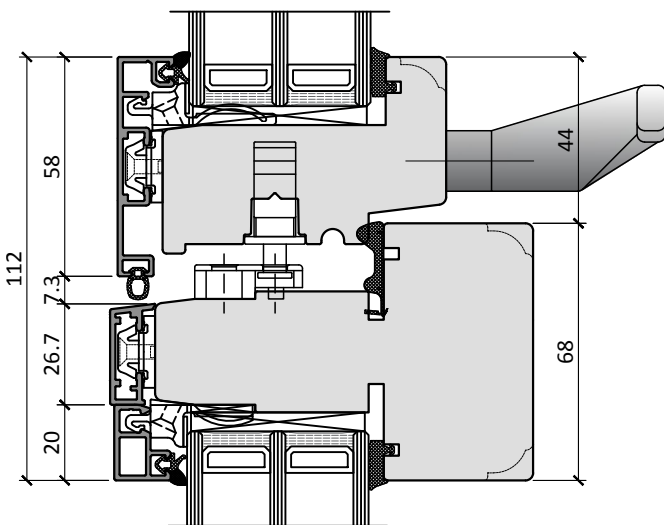
F90-15

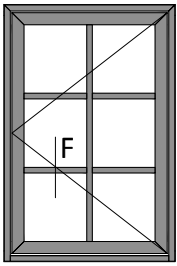


F100-17



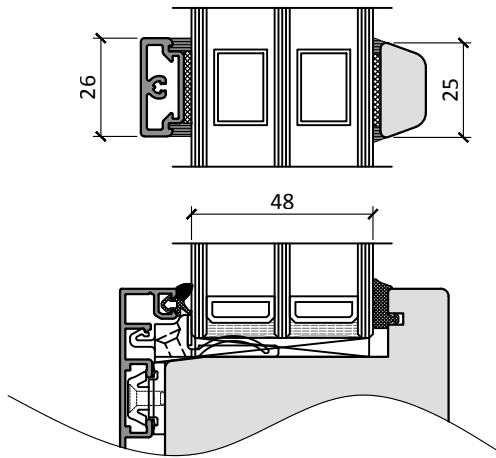
F100-16



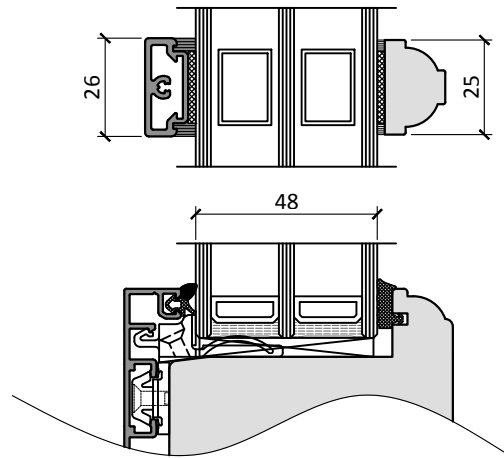


GLAZING BARS & BEADS

SPLAYED

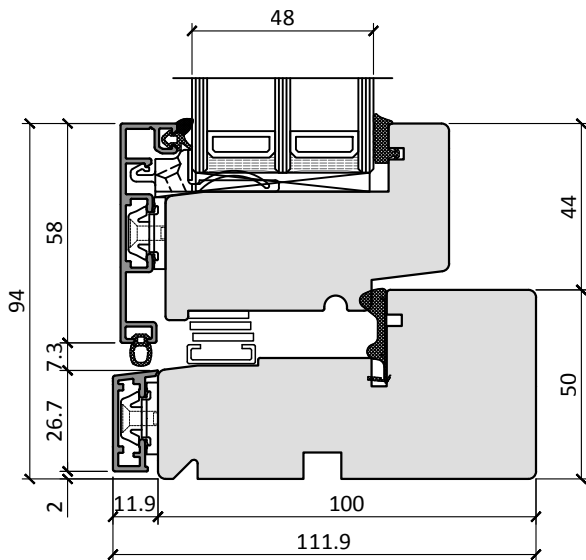


OVOLO

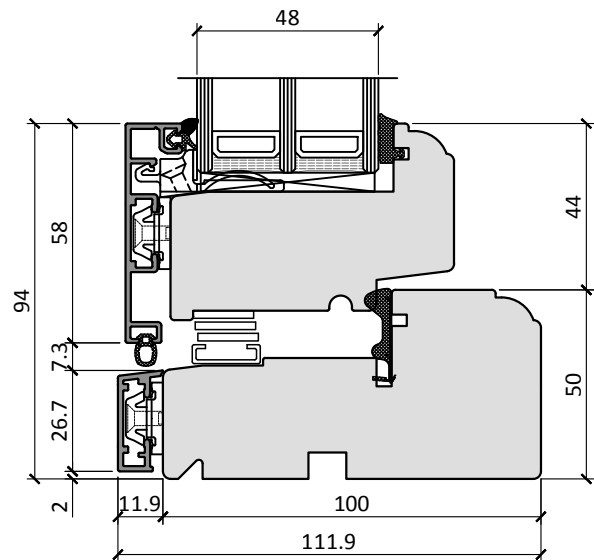


SASH & FRAME

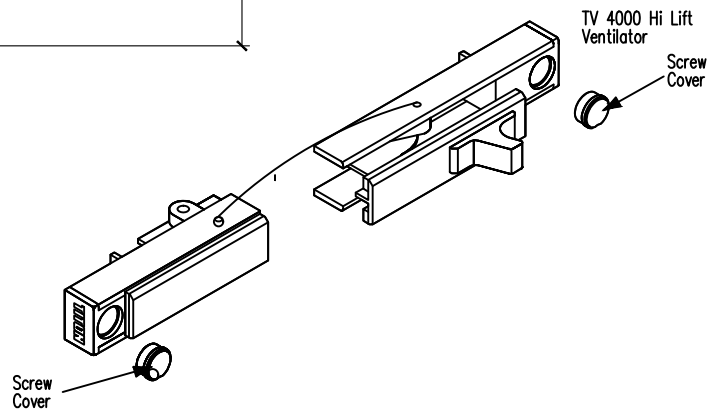
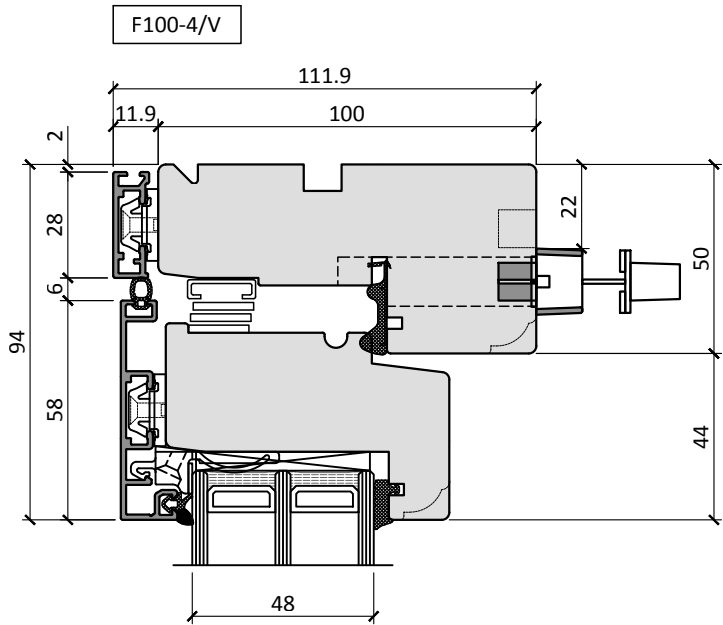
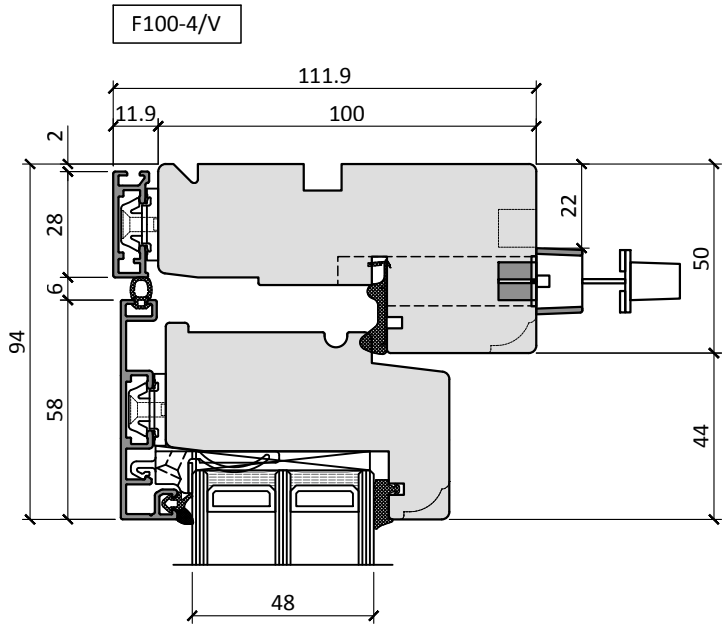
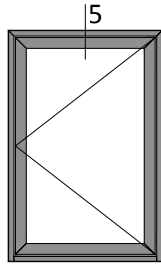
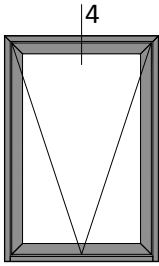
SQUARE



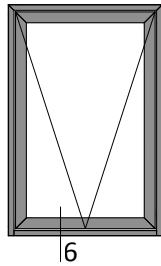
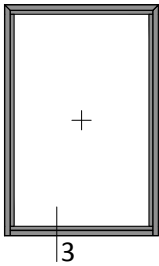
OVOLO



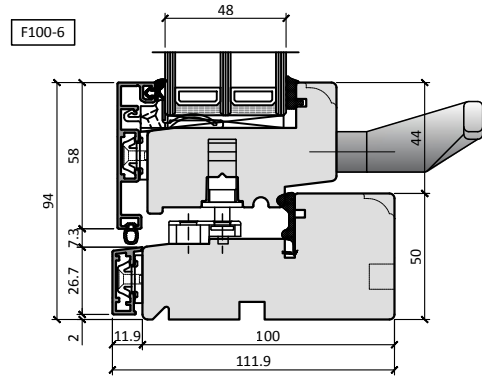
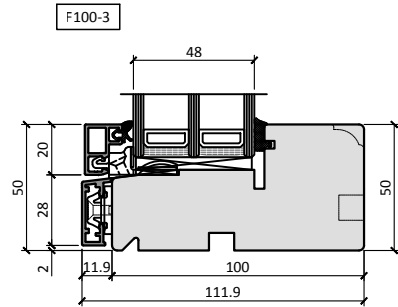
F100



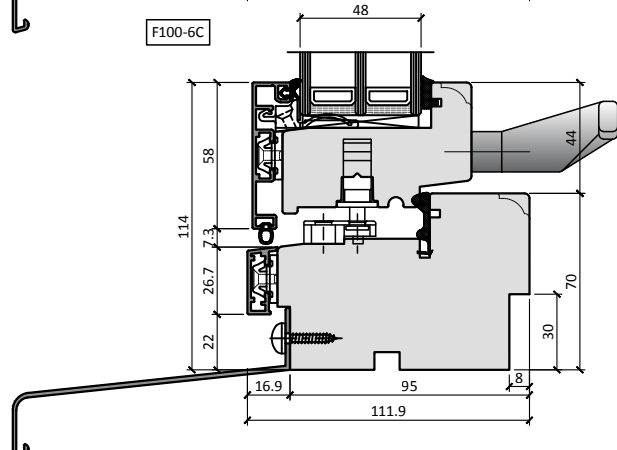
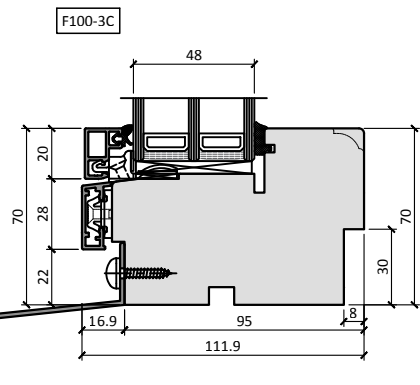
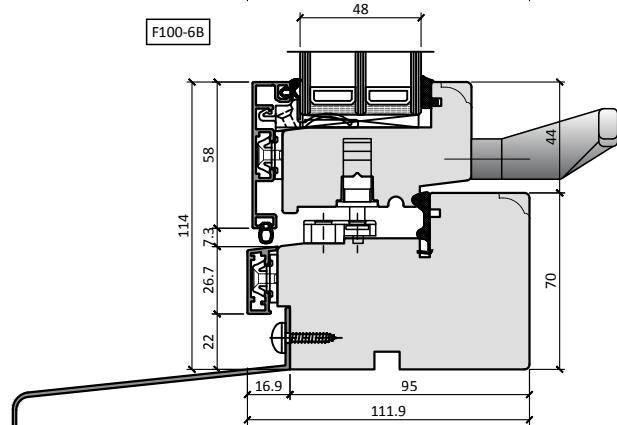
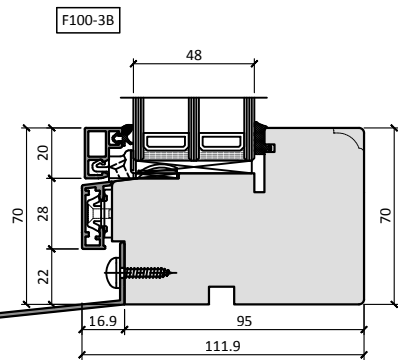
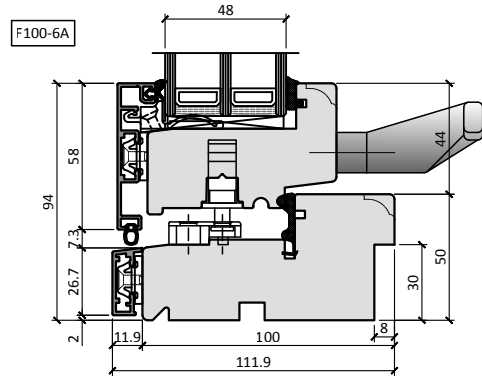
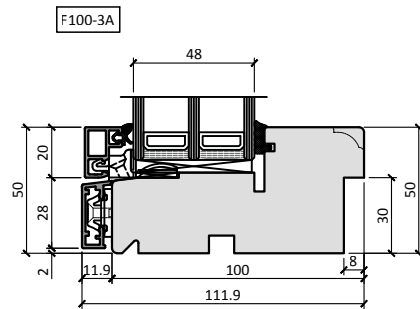
Scale:1:2



DEFAULT CILL PROFILE

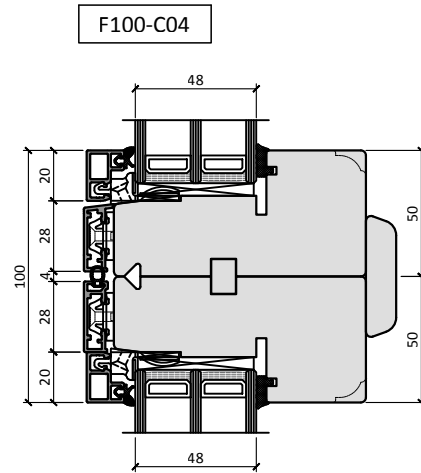
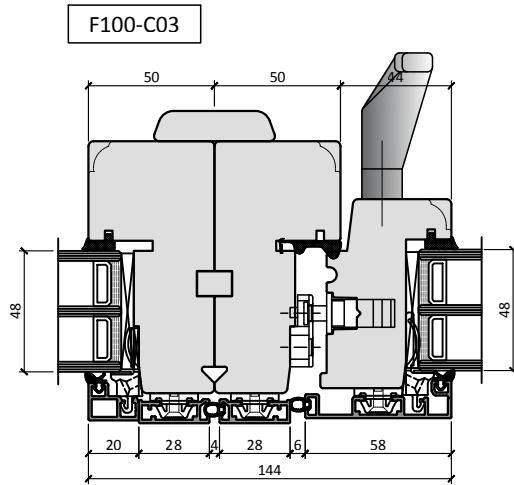
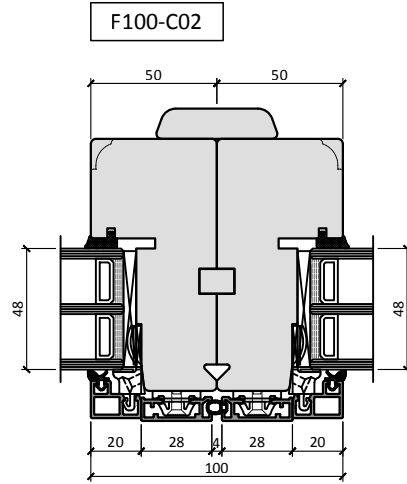
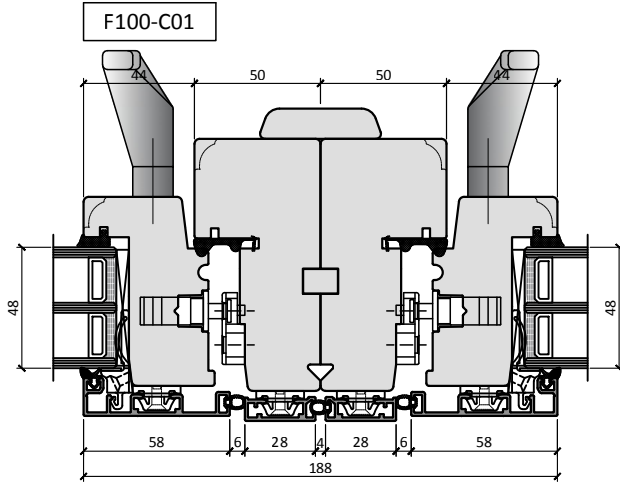
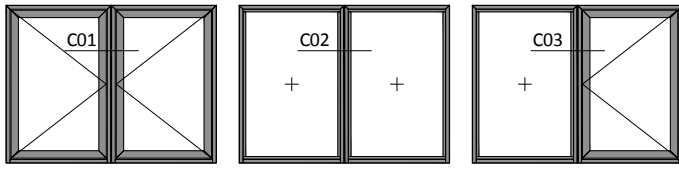


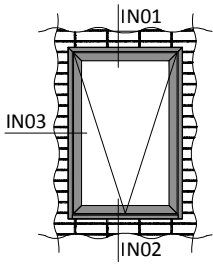
OPTIONAL CILL PROFILES



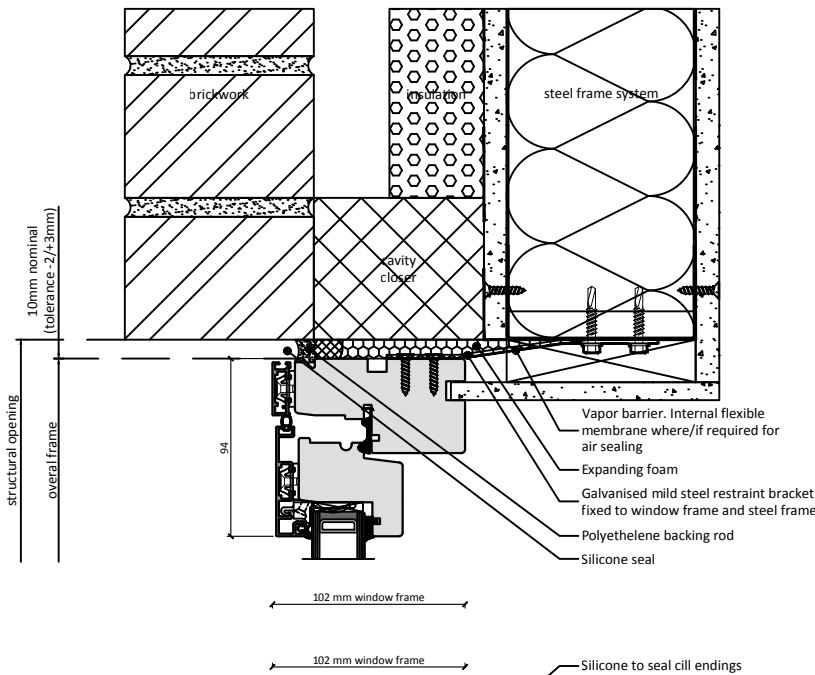
please see drawing Z-A-1001 for aluminium cill extension options

Scale:1:3

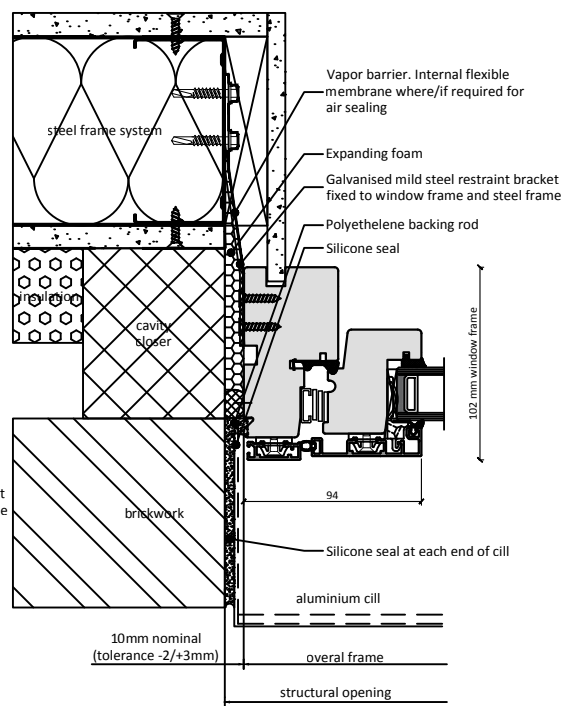




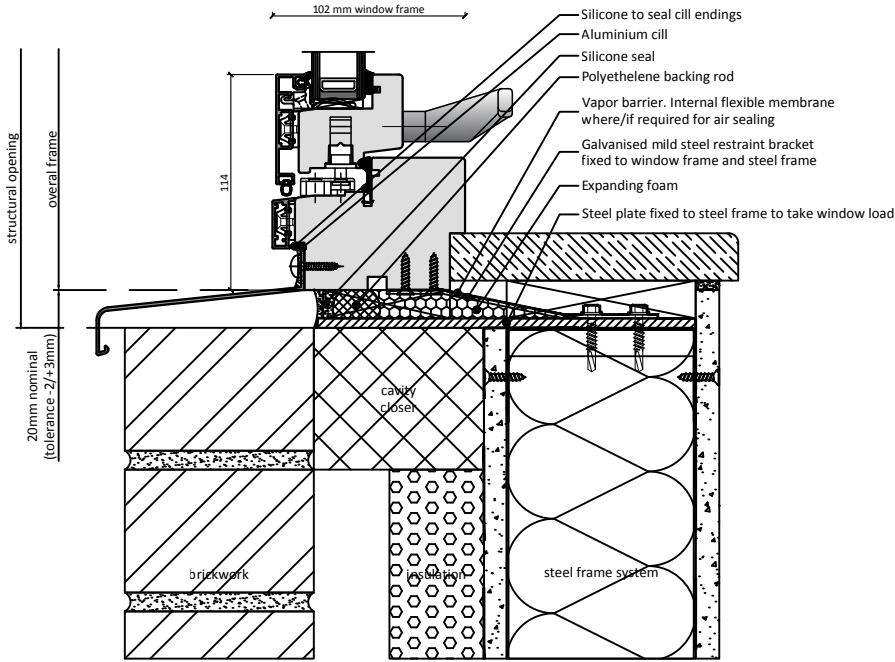
F90-IN01



F90-IN03



F90-IN02



IMPORTANT!

This drawing is for guidance only and the customer must ensure that given principles are suitable for specific project requirements and site conditions as well as compliance with national building regulations and standards.