

PRODUCT TYPE
**REYNAERS CF 77 FOLDING
 ALUMINIUM DOOR**

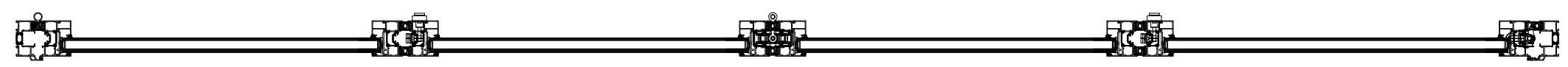
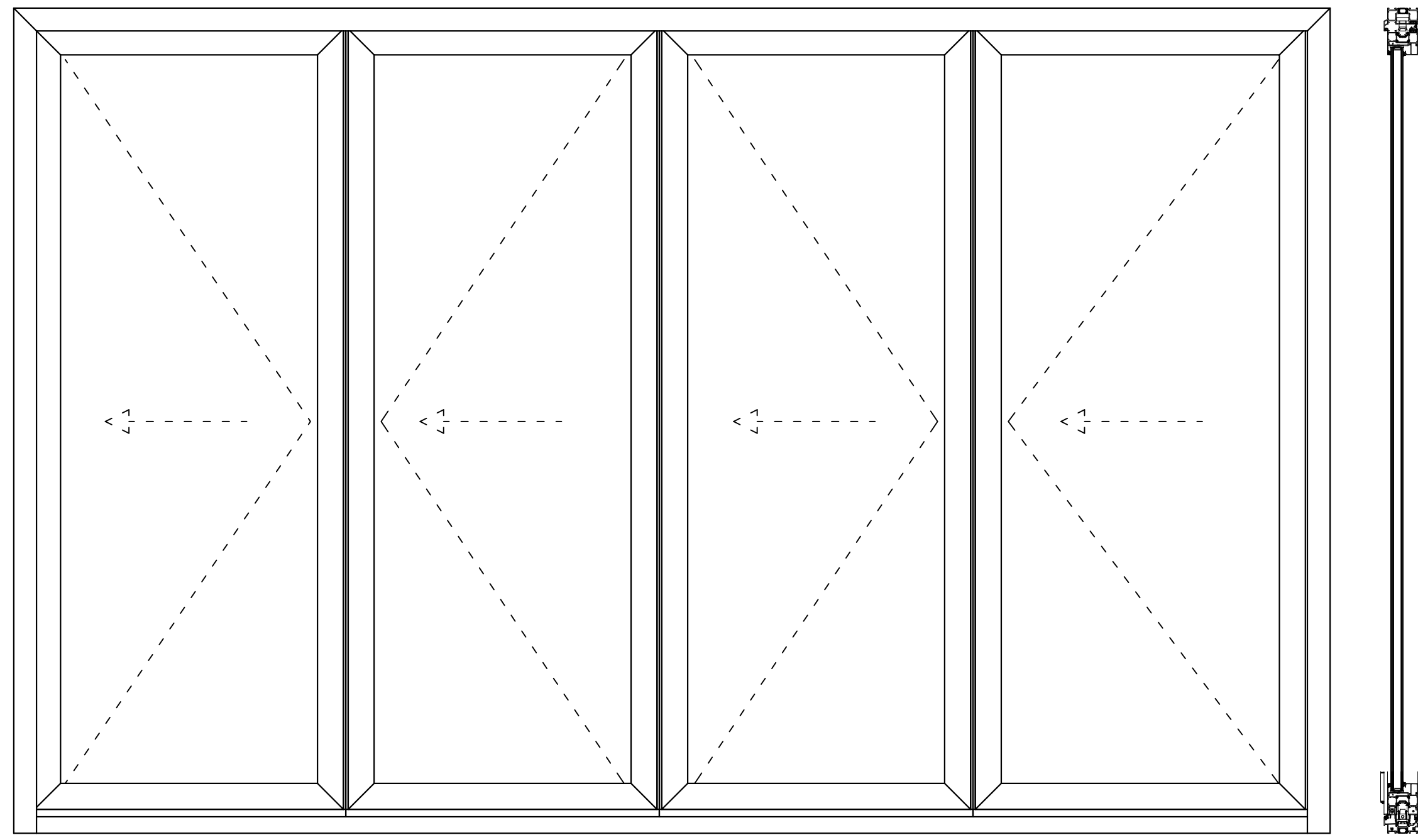
TITLE
ELEVATION DRAWING

DRAWING No.
R-A-CF77/01

DATE
2018/06/06

SCALE

CONSTRUCTION DETAILS



Material	Thermally broken aluminium system
Mechanism	Integrated and centrally built-in bottom rolling system to operate door leaves up to 3m high and up to 120 kg weight
Opening Types	Available in number of configurations using from 2 to 8 door leaves. Inward or Outward opening
Weatherseal	The door is fully weather sealed and tested to EN standards
Glass	The door is dry glazed with EPDM and can take dual or triple sealed units up to 63mm thickness
Thermal Performance	Uw-value down to 1.6 W/m2K, depending on the frame/vent combination and the glass thickness
Factory Finishing	Polyester powder coated available in single or dual colour

FENSTER UAB
 Kirtimų 47, LT-02244,
 Vilnius, Lithuania
 Phone.: + 370 5 206 0987
 Mob.: +370 682 01711
 Fax.: +370 5 206 0986
 E-mail: info@zylefenster.com
 www.zylefenster.com



PRODUCT TYPE
**REYNAERS CF 77 FOLDING
 ALUMINIUM DOOR**

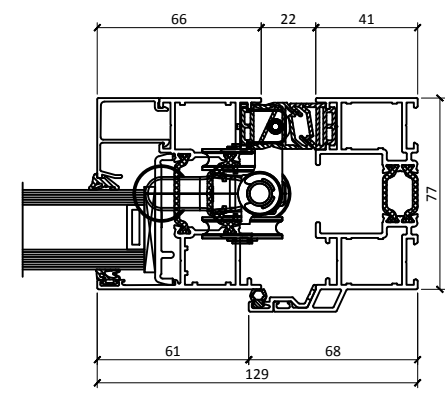
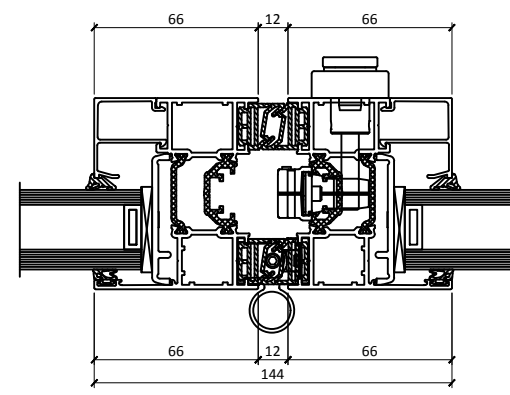
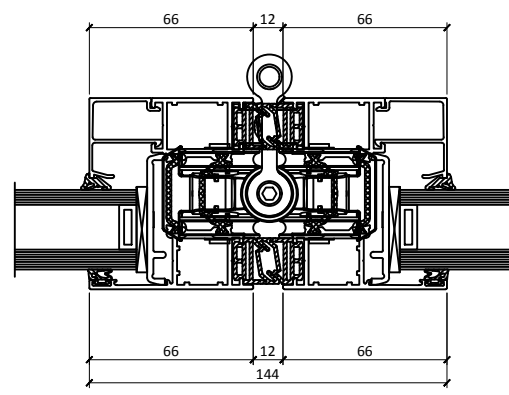
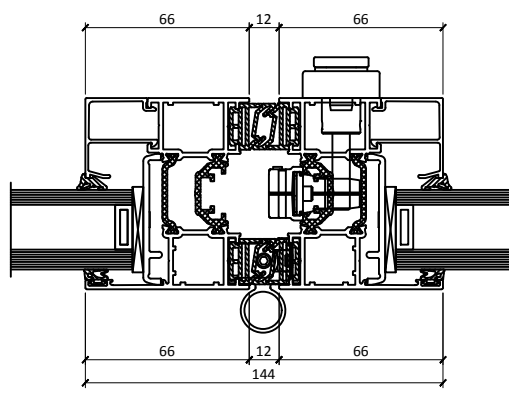
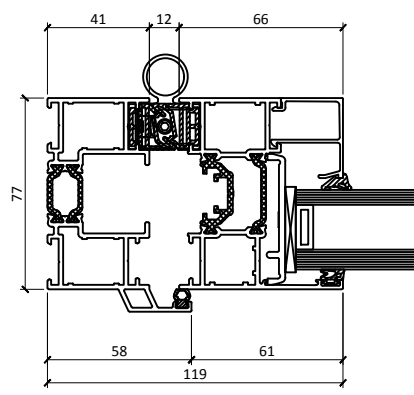
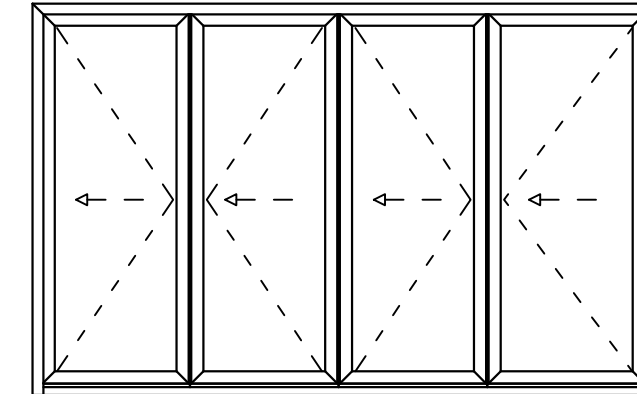
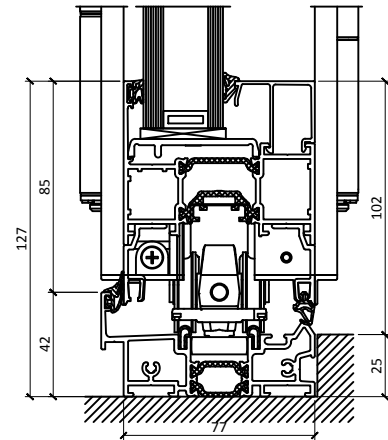
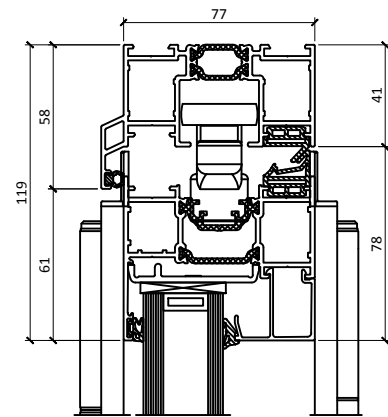
TITLE
TYPICAL SECTIONS

DRAWING No.
R-A-CF77/02

DATE
2018/06/06

SCALE

CONSTRUCTION DETAILS



FENSTER UAB
 Kirtimų 47, LT-02244,
 Vilnius, Lithuania
 Phone.: + 370 5 206 0987
 Mob.: +370 682 01711
 Fax.: +370 5 206 0986
 E-mail: info@zylefenster.com
 www.zylefenster.com

