

TRADITIONAL BOX SASH WINDOW

TITLE

ELEVATION DRAWING

DRAWING No.

BOX-160/01

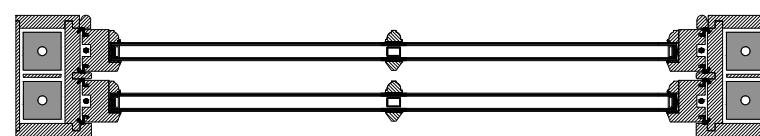
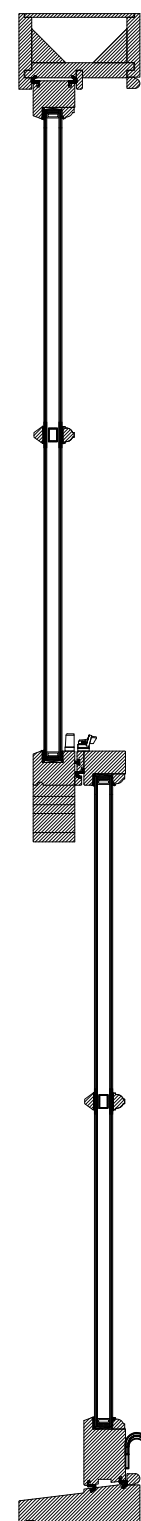
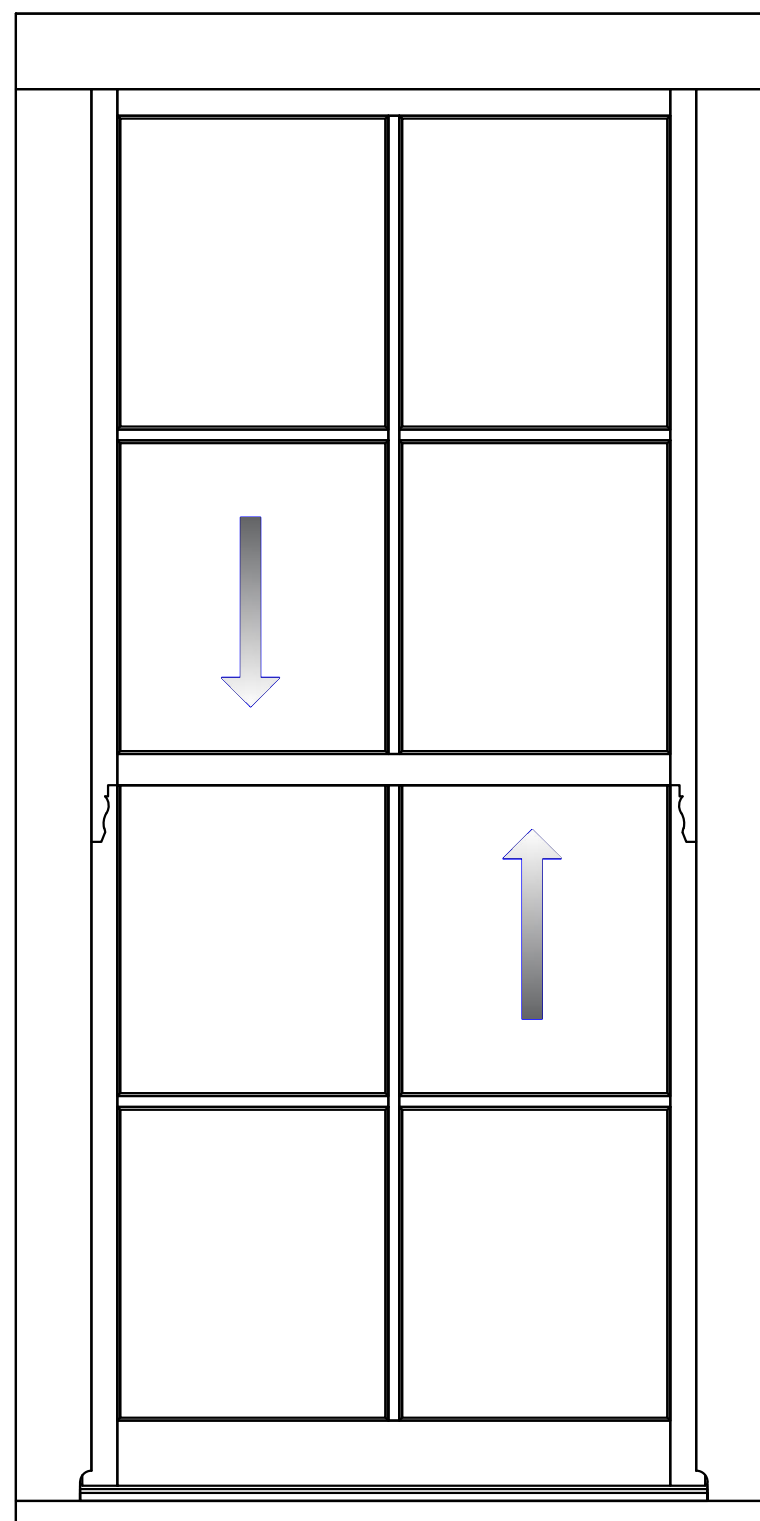
DATE

2018/06/06

SCALE

1:10 @ A3

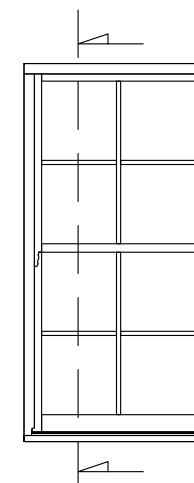
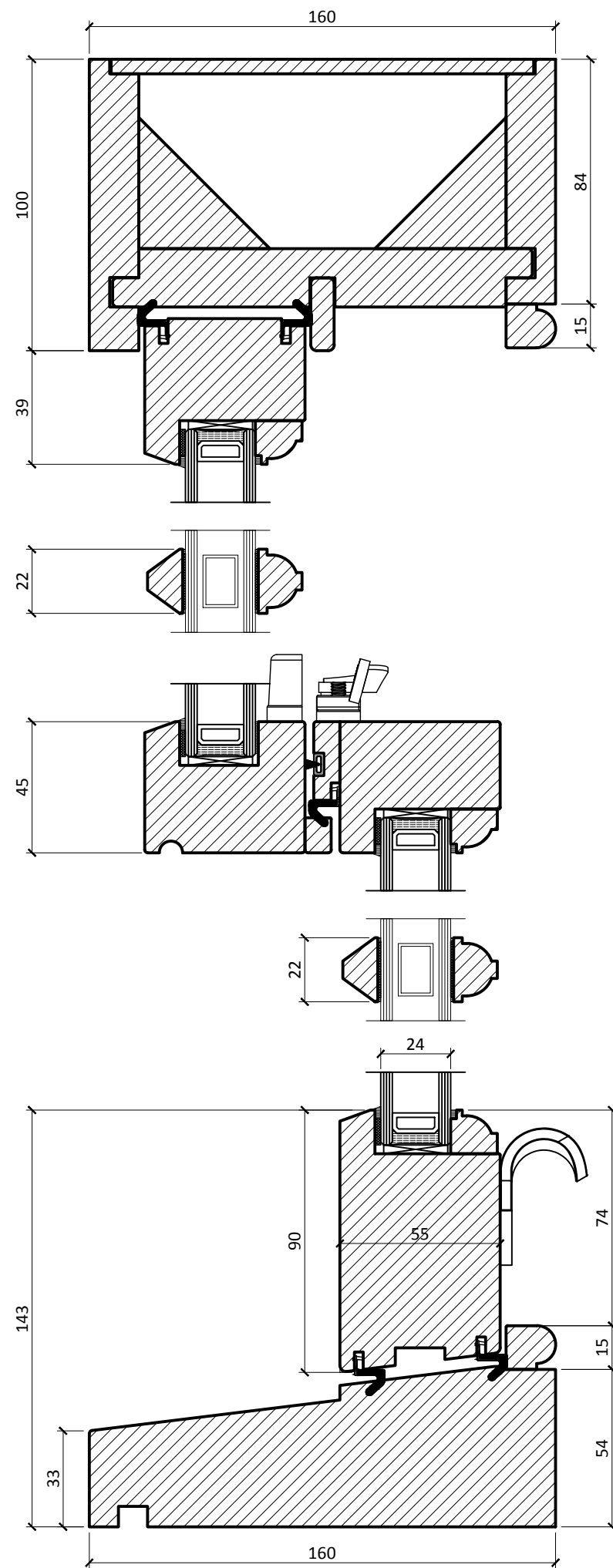
CONSTRUCTION DETAILS



Material	Manufactured in selected engineered laminated pine or hardwood, sourced from sustainable and managed forestry (FSC or PFEC certified)
Mechanism	Sashes are hung on cords or chains, operating over pulleys and counter balanced with lead weights
Weatherseal	The window is fully weather sealed to BS EN 6375-1 2009
Glazing	Windows are internally beaded with the external rebate up stand to give the appearance of putty glazing
Glass	The window is factory glazed with 24 mm thickness dual sealed units
Thermal Performance	Thermal performance is calculated by the standards of EN ISO 10077-1:2006 and typically this window achieves a U-value of 1.6 W/m ² K or better
Glazing Bars	Applied bars are used to achieve the slim section of traditional glazing bars. These are applied with double sided glazing tape to both faces of the sealed unit and capped with clear silicone
Cills	Manufactured in Hardwood with options of cill projections
Horns	Solid feature horns to top sashes are included as standard (See Drawing No H-001)
Fittings	A lockable Fitch fastener and two finger pulls to the bottom sash with options in colour and finish
Ventilation	A controllable trickle ventilator can be fitted to the window dependant on width of frame (See Drawing No BOX-160/09)
Restrictors	Restrictors which allows the opening of the sash to be restricted to 100mm is an option
Factory Finishing	To ensure the smooth operation and optimum performance of the window, we apply 3 coats of sprayed applied microporous water based paint system

FENSTER UAB
 Kirtimų 47, LT-02244,
 Vilnius, Lithuania
 Phone.: + 370 5 206 0987
 Mob.: +370 682 01711
 Fax.: +370 5 206 0986
 E-mail: info@zylefenster.com
 www.zylefenster.com





PRODUCT TYPE

**TRADITIONAL BOX
SASH WINDOW**

TITLE

VERTICAL SECTION

DRAWING No.

BOX-160/02.1

DATE

2018/06/06

SCALE

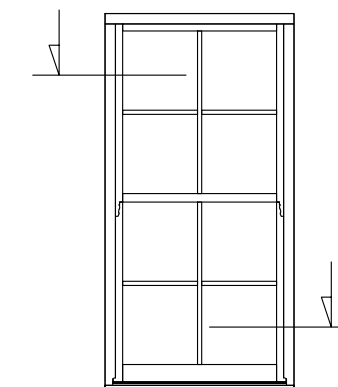
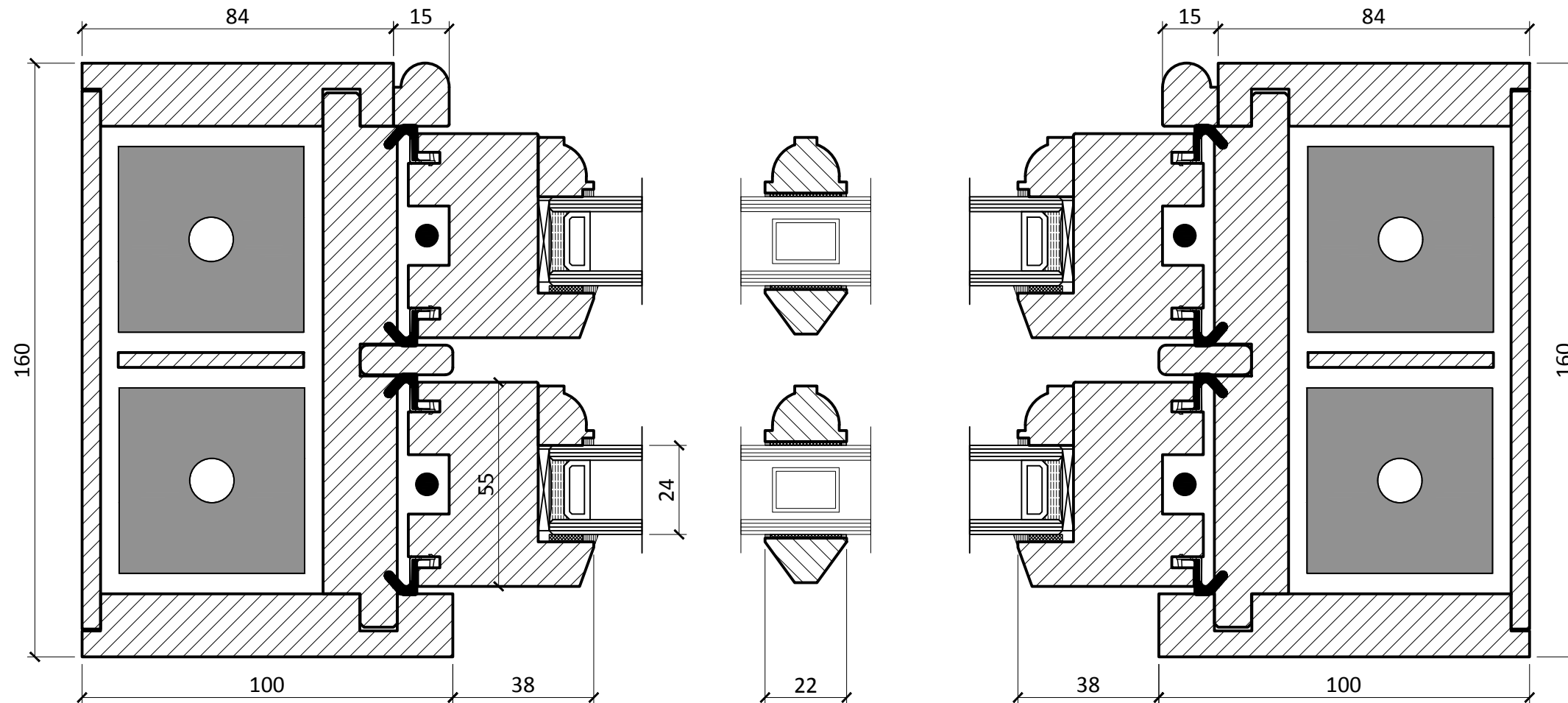
1:2 @ A3

CONSTRUCTION DETAILS

FENSTER UAB
Kirtimų 47, LT-02244,
Vilnius, Lithuania
Phone.: + 370 5 206 0987
Mob.: +370 682 01711
Fax.: +370 5 206 0986
E-mail: info@zylefenster.com
www.zylefenster.com



PRODUCT TYPE	
TRADITIONAL BOX SASH WINDOW	
TITLE	
HORIZONTAL SECTION	
DRAWING No.	
BOX-160/03.1	
DATE	SCALE
2018/06/06	1:1.5 @ A3
CONSTRUCTION DETAILS	



FENSTER UAB
 Kirtimų 47, LT-02244,
 Vilnius, Lithuania
 Phone.: + 370 5 206 0987
 Mob.: +370 682 01711
 Fax.: +370 5 206 0986
 E-mail: info@zylefenster.com
 www.zylefenster.com



TRADITIONAL BOX SASH WINDOW

TITLE

GLAZING BAR AND BEAD OPTIONS

DRAWING No.

BOX-160/04.1

DATE

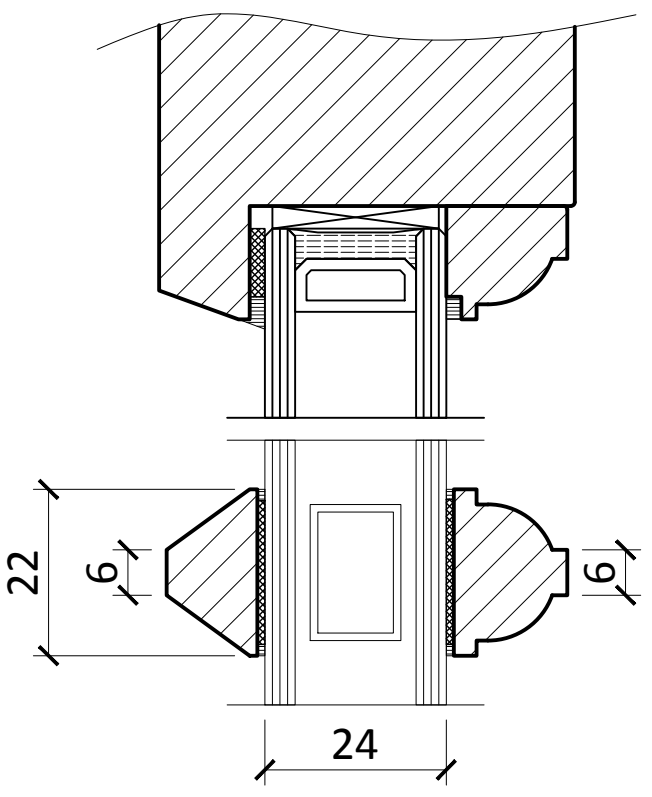
2018/06/06

SCALE

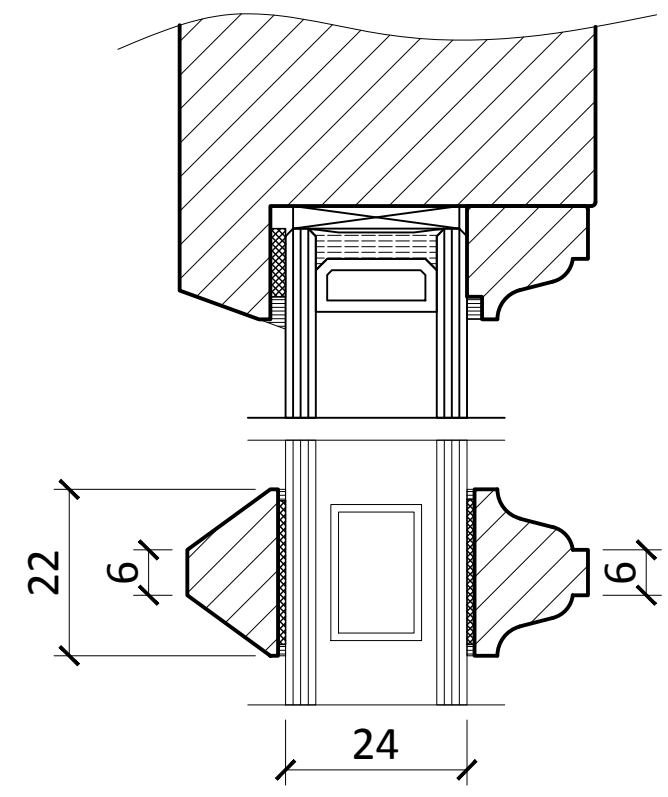
1:1 @ A3

CONSTRUCTION DETAILS

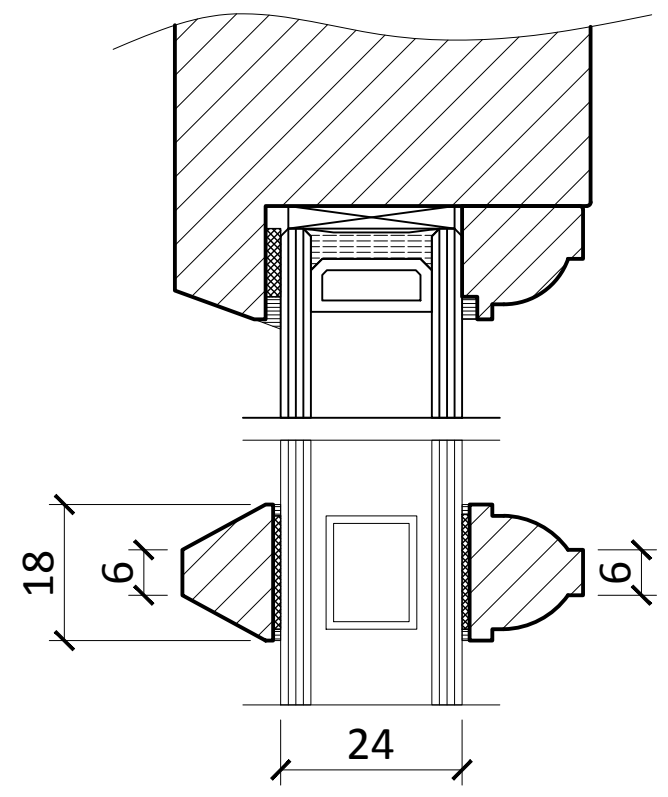
Ovolo Profile 1



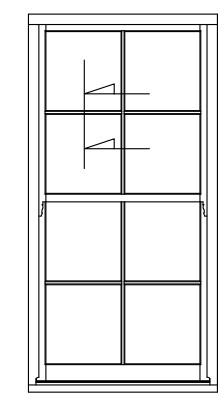
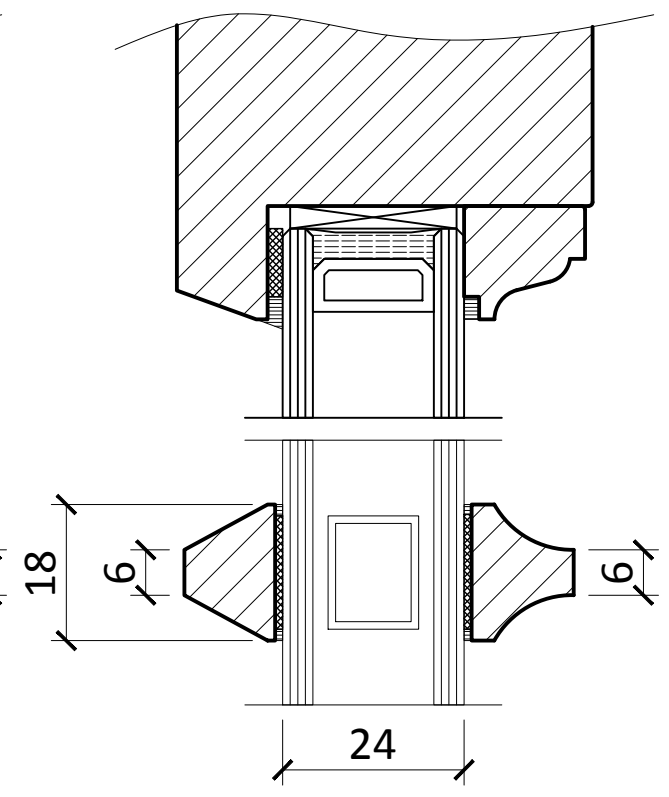
Lambs Tongue Profile 1



Ovolo Profile 2



Lambs Tongue Profile 2



FENSTER UAB
 Kirtimų 47, LT-02244,
 Vilnius, Lithuania
 Phone.: + 370 5 206 0987
 Mob.: +370 682 01711
 Fax.: +370 5 206 0986
 E-mail: info@zylefenster.com
 www.zylefenster.com



TRADITIONAL BOX SASH WINDOW

TITLE

MULLION DETAIL

DRAWING No.

BOX-160/05.1

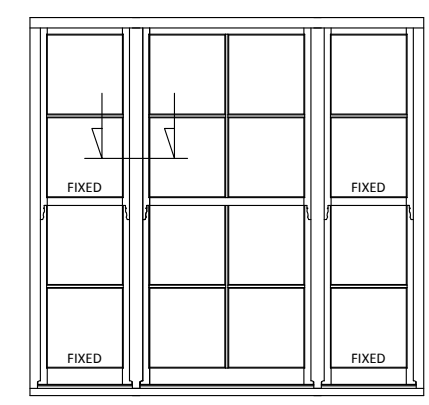
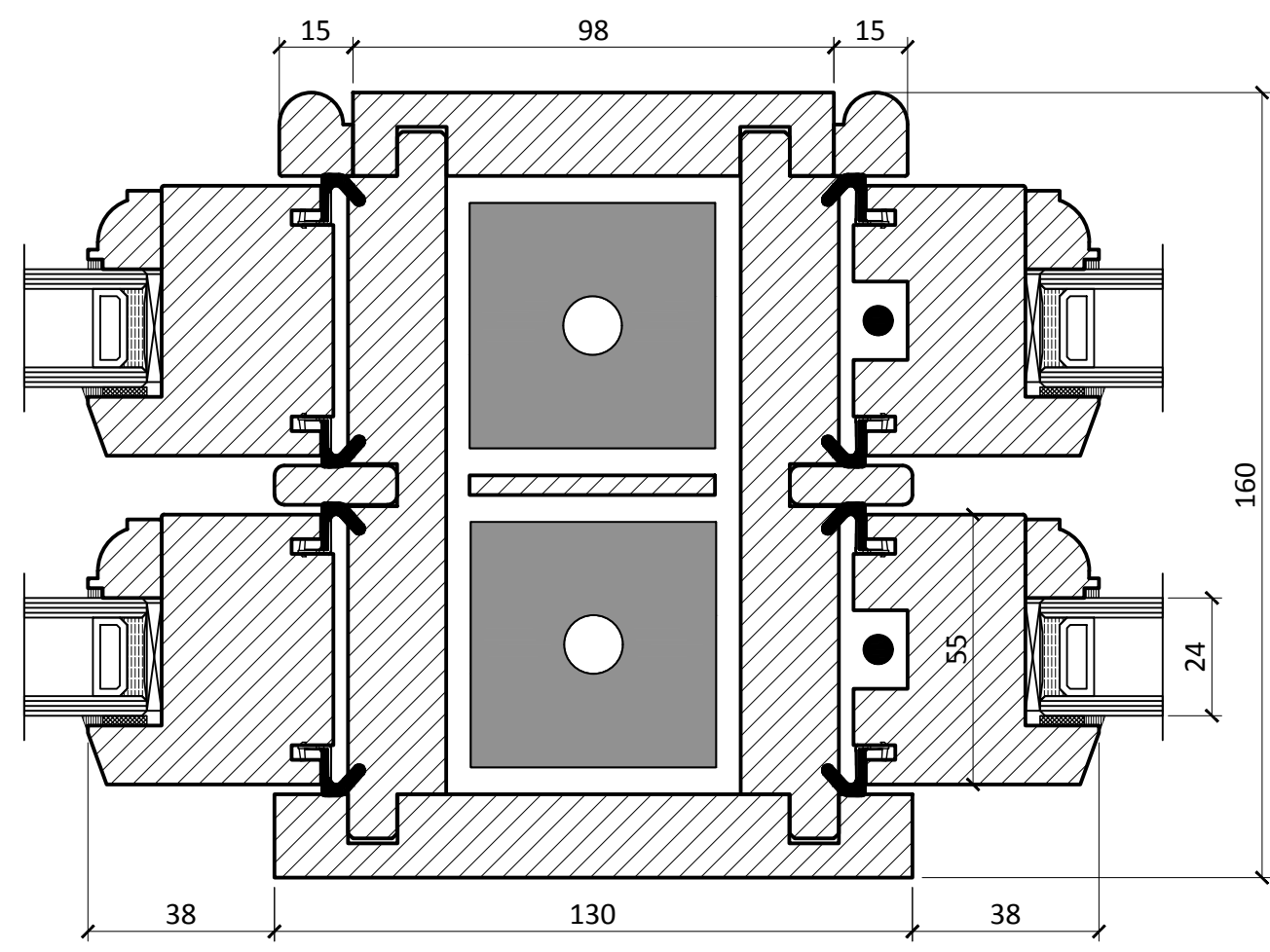
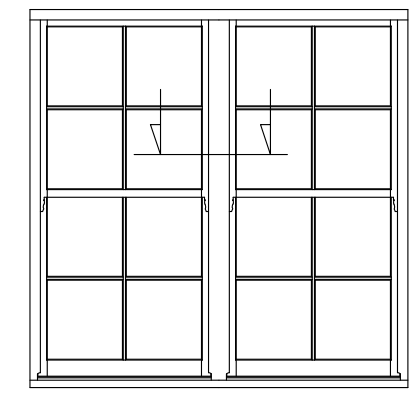
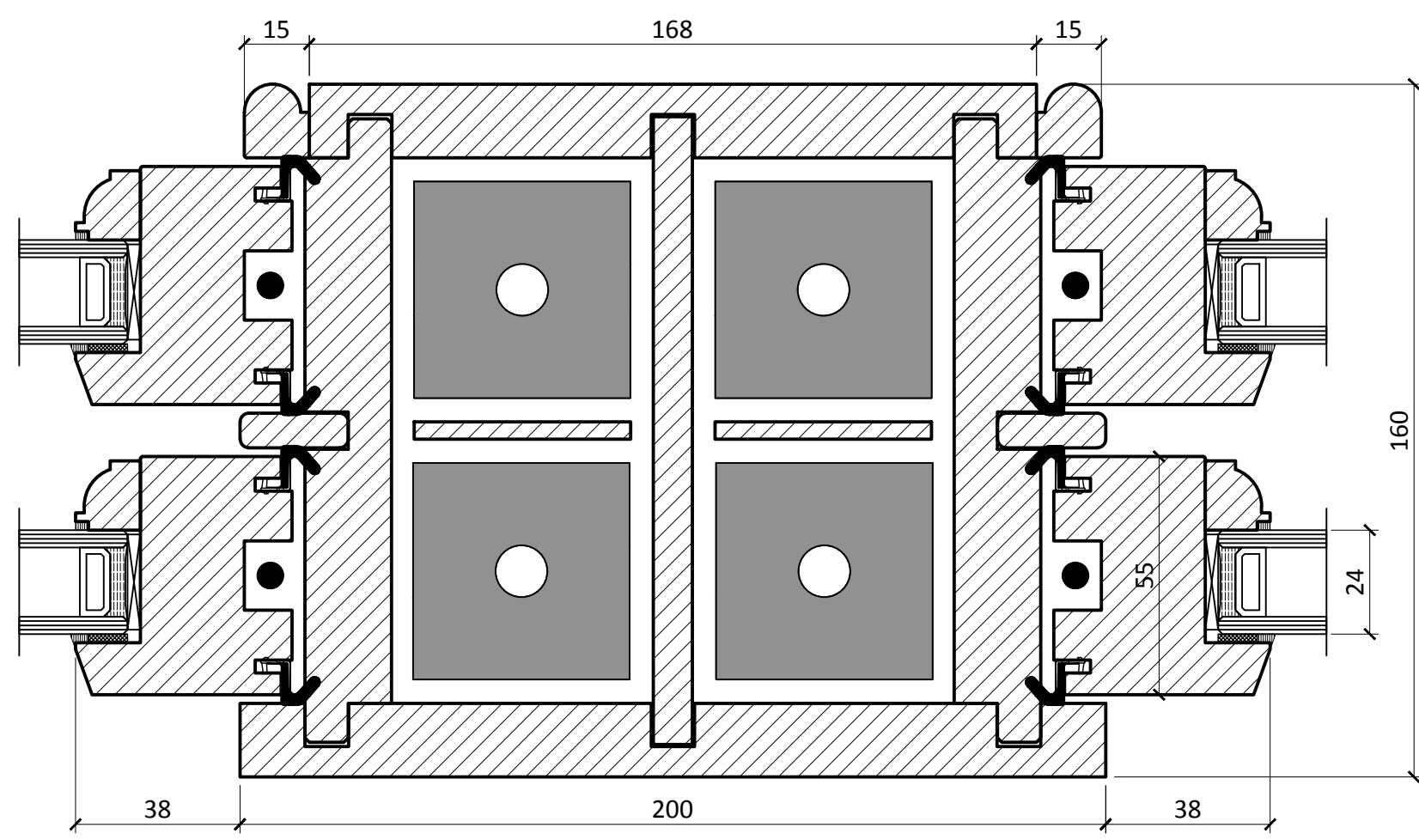
DATE

2018/06/06

SCALE

1:1.5 @ A3

CONSTRUCTION DETAILS



FENSTER UAB
 Kirtimų 47, LT-02244,
 Vilnius, Lithuania
 Phone.: + 370 5 206 0987
 Mob.: +370 682 01711
 Fax.: +370 5 206 0986
 E-mail: info@zylefenster.com
 www.zylefenster.com



TRADITIONAL BOX SASH WINDOW

TITLE

CILL EXTENSION OPTIONS

DRAWING No.

BOX-160/06

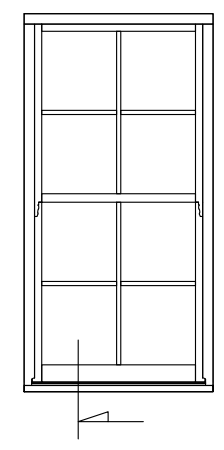
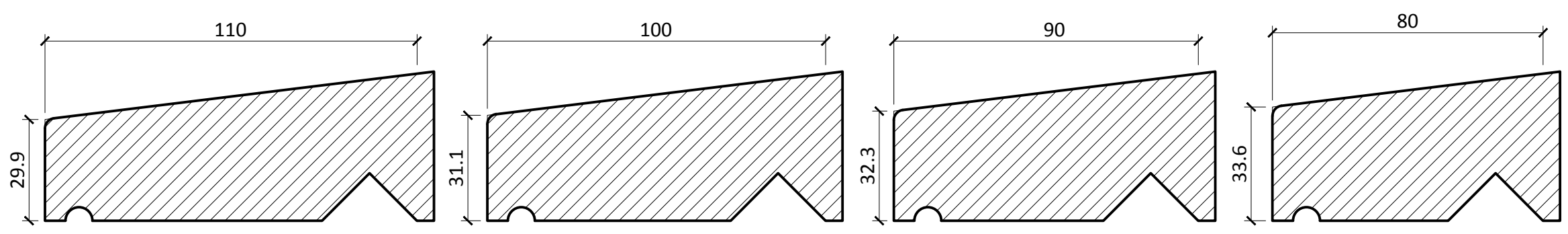
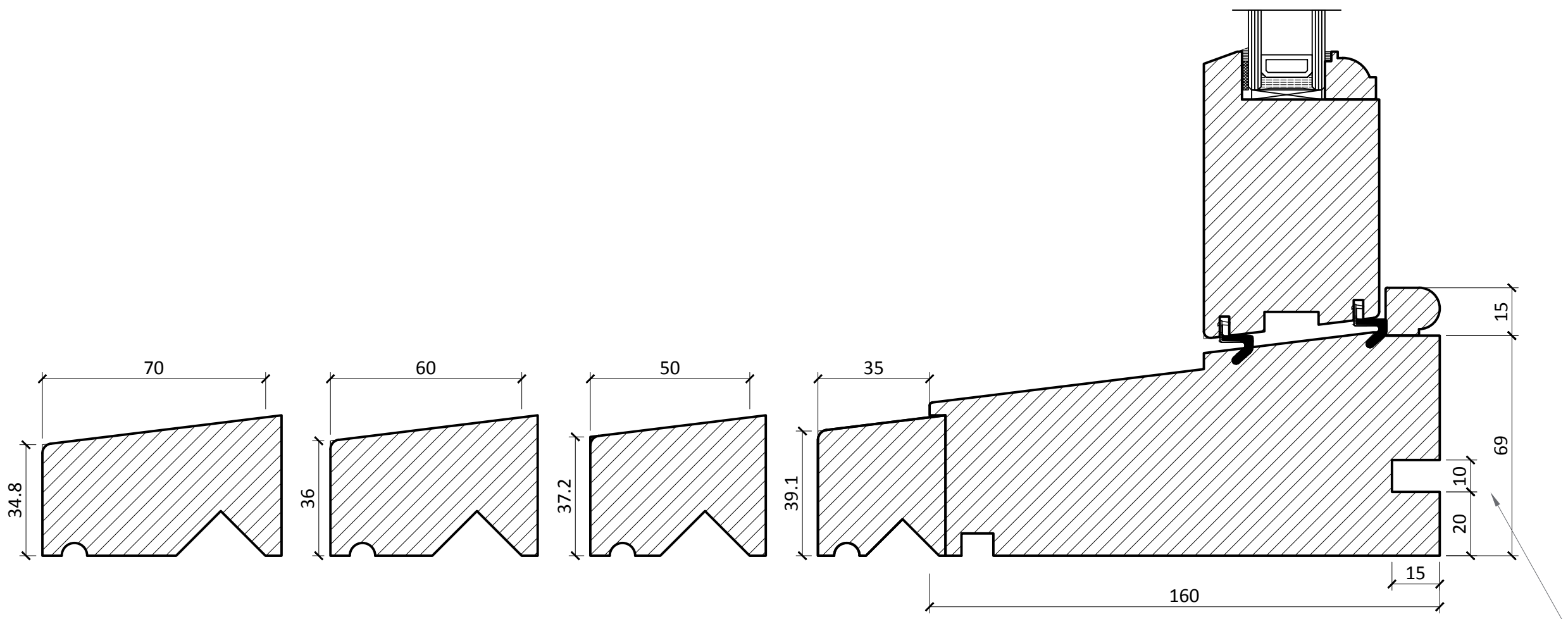
DATE

2018/06/06

SCALE

1:1.5 @ A3

CONSTRUCTION DETAILS



FENSTER UAB
 Kirtimų 47, LT-02244,
 Vilnius, Lithuania
 Phone.: + 370 5 206 0987
 Mob.: +370 682 01711
 Fax.: +370 5 206 0986
 E-mail: info@zylefenster.com
 www.zylefenster.com



TRADITIONAL BOX SASH WINDOW

TITLE

SASH HORN OPTIONS

DRAWING No.

H-001

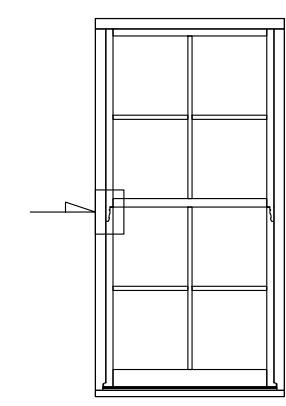
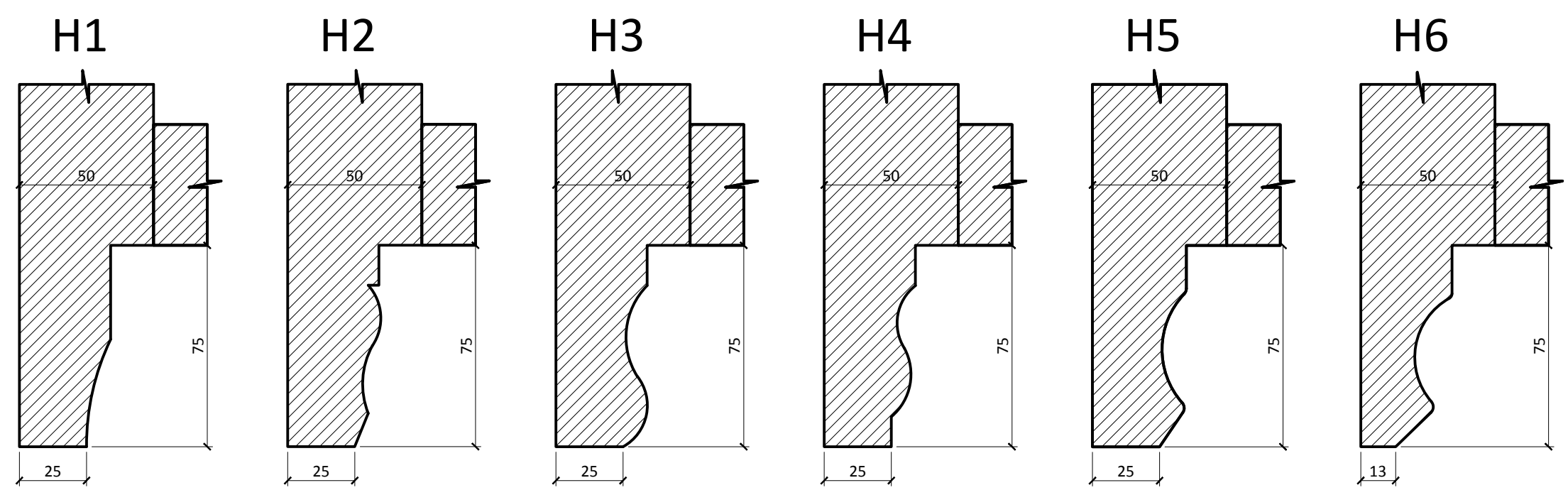
DATE

2018/06/06

SCALE

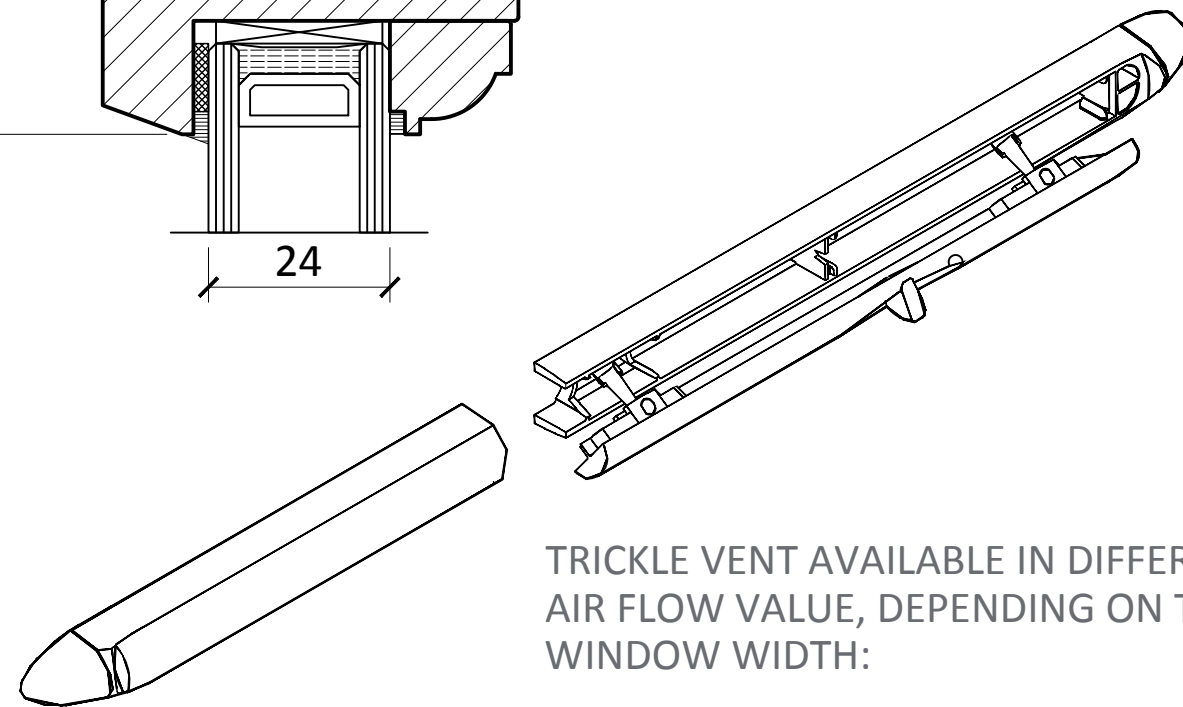
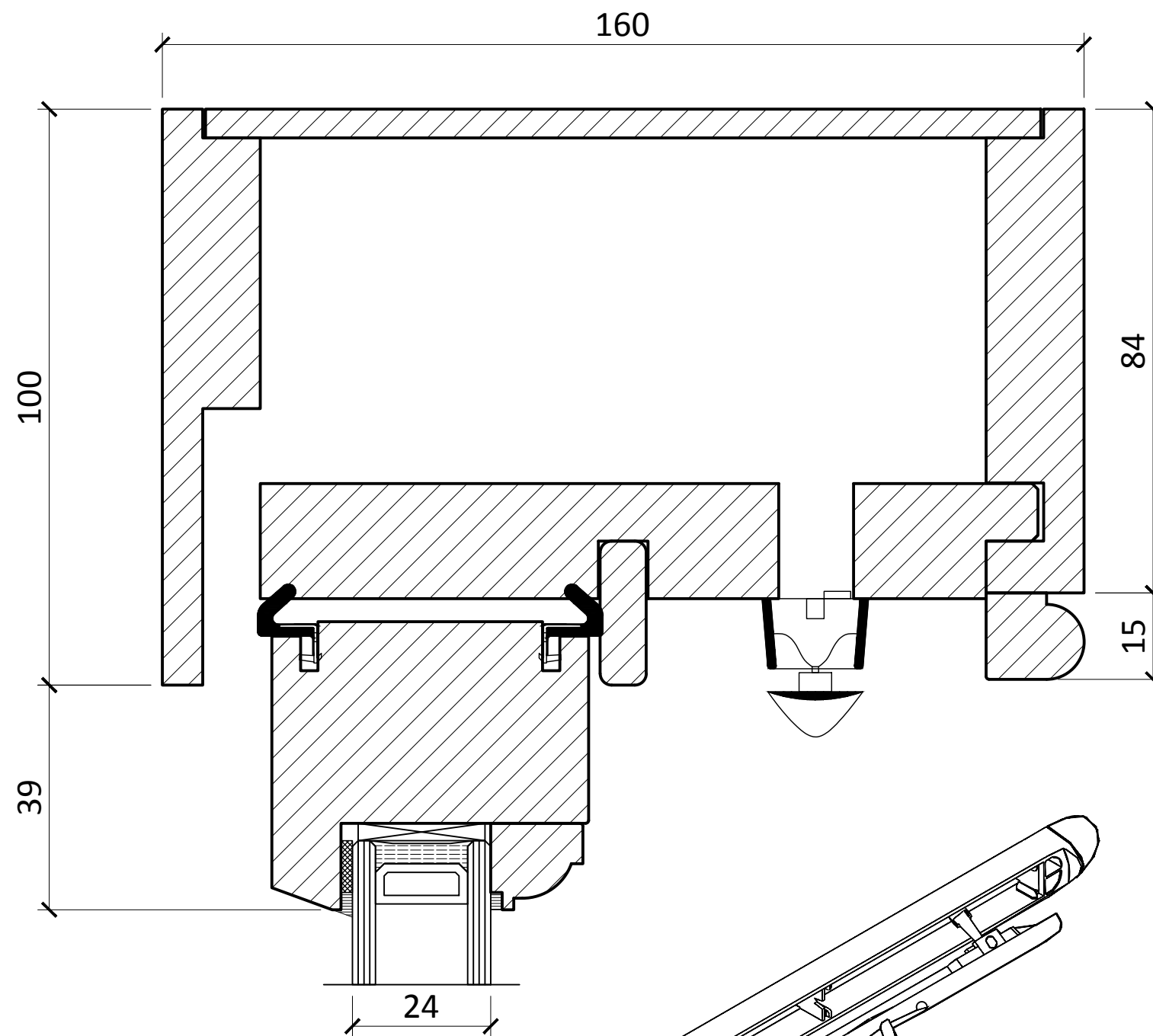
1:2 @ A3

CONSTRUCTION DETAILS



FENSTER UAB
 Kirtimų 47, LT-02244,
 Vilnius, Lithuania
 Phone.: + 370 5 206 0987
 Mob.: +370 682 01711
 Fax.: +370 5 206 0986
 E-mail: info@zylefenster.com
 www.zylefenster.com



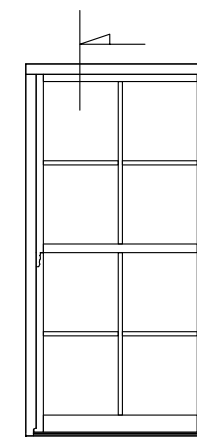


TRICKLE VENT AVAILABLE IN DIFFERENT AIR FLOW VALUE, DEPENDING ON THE WINDOW WIDTH:

* - 1700 mm² EA

* - 4400 mm² EA

* - 5000 mm² EA



PRODUCT TYPE

TRADITIONAL BOX SASH WINDOW

TITLE

CONCEALED TRICKLE VENT

DRAWING No.

BOX-160/07

DATE

2018/06/06

SCALE

1:1 @ A3

CONSTRUCTION DETAILS

FENSTER UAB
 Kirtimų 47, LT-02244,
 Vilnius, Lithuania
 Phone.: + 370 5 206 0987
 Mob.: +370 682 01711
 Fax.: +370 5 206 0986
 E-mail: info@zylefenster.com
 www.zylefenster.com

